



PARTS LIST FOR

HSE-2504-0M10 (AFTER SERIAL #15005912 and #15047915)
HSE-2504-0M30 (AFTER SERIAL #15006771 and #15047915)
HSE-3004-0M10 (AFTER SERIAL #15006433 and #15047915)
HSE-3004-0M30 (AFTER SERIAL #15006771 and #15047915)
HSE-3504-0M10 (AFTER SERIAL #15006097 and #15047915)
HSE-3504-0M30 (AFTER SERIAL #15006771 and #15047915)

PUMP OIL GRADE:	SAE20 or 30 Non-Detergent
PUMP OIL CAPACITY:	41 oz. / 1.2 liters
FUEL NOZZLE:	1.75 60°B Delavan
BTU INPUT:	294,000
PRESSURE NOZZLE SIZE:	
FOR HSE-2504/3004:	4.0
FOR HSE-3504:	3.5

This Parts Listing has been compiled for your benefit. You can be assured your Mi-T-M hot water pressure washer was constructed and designed with quality and performance in mind using over 25 years experience in the pressure washer business. Each component has been rigorously tested to insure the highest level of acceptance.

The contents of this Parts Listing are based on the latest product information available at the time of publication. The manufacturer reserves the right to make changes in price, color, materials, equipment, specifications or models at any time without notice.

WARNING

THIS IS A PROFESSIONAL HIGH PRESSURE, HOT WATER PRESSURE WASHER. CAUTION SHOULD BE OBSERVED WHEN USING OR REPAIRING THIS UNIT! READ AND FOLLOW THE SAFETY WARNINGS LISTED BELOW BEFORE ATTEMPTING ANY REPAIRS ON THIS PRESSURE WASHER!

SAFETY WARNINGS

1. NEVER alter or modify the equipment. Be sure any accessory items and system components being used will withstand the pressure developed. Use only genuine Mi-T-M parts for repair of your pressure washer. Failure to do so can cause hazardous operating conditions and will VOID warranty.
2. This unit has multiple safety devices which should never be altered, modified, removed or made inoperable. If a device fails, replace immediately with only genuine manufacturer replacement parts.
3. Electrical System: The unit must be connected to a properly grounded electrical source which provides the correct voltage and adequate fuse protection. Disconnect from power source when making repairs. Never assume the pressure washer is safe to work on just because it is not operating. It could restart at any time. Never operate the pressure washer with electrical enclosures open, removed or damaged. Do not allow metal components of the pressure washer to come in contact with live electrical components.
4. Do not operate the unit without all protective covers in place. Know how to stop and bleed pressures quickly. Be thoroughly familiar with controls.
5. Before servicing the unit, turn unit off, and trigger the gun to release trapped pressure. Do not make repairs while the unit is running. Service in a clean, dry, flat area.
6. After testing the machine, DO NOT leave the pressurized unit unattended. Shut off the unit and release trapped pressure before leaving.

Table of Contents

NOTES	4
SPECIFICATIONS.....	5
FLOW CHART	6
GENERAL THEORY OF OPERATION	7
SAFETY DECAL PLACEMENT.....	8
FRAME ASSEMBLY	10
FLOAT TANK ASSEMBLY.....	12
PUMP ASSEMBLY.....	14
UNLOADER ASSEMBLY.....	16
PUMP ASSEMBLY (3-0202)	18
UNLOADER (850-0252).....	20
PRESSURE SWITCH (22-0171).....	22
COIL DRAIN PLUG (850-0218).....	24
HEAT EXCHANGER/BLOWER MOTOR.....	26
BOILER ASSEMBLY (850-0240) (AFTER SERIAL # 15047915)	28
GUN/WAND/HOSE ASSEMBLY	30
DUAL LANCE ASSEMBLY (16-0416 & 16-0417)	32
FUEL TANK (850-0290).....	34
FUEL PUMP (3-0020)	35
FUEL SOLENOID (44-0101).....	35
CONTROL PANEL.....	36
ELECTRIC PANEL SINGLE PHASE	38
ELECTRIC PANEL THREE PHASE	40
WIRING SCHEMATIC FOR HSE-2504-0M10 (208-230 VOLT).....	42
WIRING DIAGRAM FOR HSE-2504-0M10 (208-230 VOLT).....	43
WIRING SCHEMATIC FOR HSE-3004-0M10 (208-230 VOLT).....	44
WIRING DIAGRAM FOR HSE-3004-0M10 (208-230 VOLT).....	45
WIRING SCHEMATIC FOR HSE-3504-0M10 (208-230 VOLT).....	46
WIRING DIAGRAM FOR HSE-3504-0M10 (208-230 VOLT).....	47
WIRING SCHEMATIC FOR HSE-2504/3004/3504-0M30 (208-230 VOLT).....	48
WIRING DIAGRAM FOR HSE-2504/3004/3504-0M30 (208-230 VOLT).....	49

NOTES

SERIAL BREAK NUMBER:**SERIAL BREAK EXPLANATION:**

#22664		CHANGED UNLOADER FROM 8-0032 TO 850-0252
#14999999		CHANGED FUEL TANK FROM 850-0243 TO 850-0290
#15001408	(3504 ONLY)	CHANGED PUMP FROM 3-0079 TO 3-0202
#15001578	(2504 ONLY)	CHANGED PUMP FROM 3-0079 TO 3-0202
#15001660	(3004 ONLY)	CHANGED PUMP FROM 3-0079 TO 3-0202
#15005912	(2504 ONLY SINGLE PHASE)	CHANGED GUN FROM 850-0181 TO 16-0001. CHANGED LANCE FROM 850-0185 TO 16-0416 CHANGED LANCE FROM 850-0180 TO 16-0417.
#15006097	(3504 ONLY SINGLE PHASE)	CHANGED GUN FROM 850-0181 TO 16-0001. CHANGED LANCE FROM 850-0185 TO 16-0416 CHANGED LANCE FROM 850-0180 TO 16-0417.
#15006433	(3004 ONLY SINGLE PHASE)	CHANGED GUN FROM 850-0181 TO 16-0001. CHANGED LANCE FROM 850-0185 TO 16-0416 CHANGED LANCE FROM 850-0180 TO 16-0417.
#15006771	(2504, 3504, 3004 THREE PHASE)	CHANGED GUN FROM 850-0181 TO 16-0001. CHANGED LANCE FROM 850-0185 TO 16-0416 CHANGED LANCE FROM 850-0180 TO 16-0417.
#15045000		CHANGED PRESSURE SEAL ON PUMP 3-0202
#15047915		ELECTRODE AND ELECTRODE PLATE CHANGE ON BOILER ASSEMBLY

SPECIFICATIONS

MODEL NUMBER	HSE-2504-0M10	HSE-2504-0M30	HSE-3004-0M10	HSE-3004-0M30	HSE-3504-0M10	HSE-3504-0M30
Operating Pressure (PSI/Bar):	2500/ 172		3000/ 207		3500/ 241	
Water Volume (GPM/lpm):	3.2/ 12.1		3.5/ 13.3		3.3/ 12.5	
Outlet Water Temperature (F/C):	140°F/ 78°C (+/- 10°F) rise above inlet ambient (210°F/ 99°C maximum)					
Electrical System:						
Phase	Single	Three	Single	Three	Single	Three
Hz	60					
Voltage	208-230	208-230/460	208-230	208-230/460	208-230	208-230/460
Total System Amperage	25	16/8	36	24/12	39	28/14
On/ Off Switch	Industrial Cam Switch					
Motor (Pump):	TEFC					
Horsepower	6		8		10	
RPM	1750					
Amperage	23.5	14.8/7.4	34.5	22/11	37.5	25/12.5
Service Factor	1.15		1.00	1.15	1.00	1.15
High Pressure Pump:	Belt Driven, Oil Bath, Triplex Piston					
Oil Type	SAE20 or 30 Non-Detergent					
Oil Capacity (oz./liters)	41/1.2					
Plungers	Ceramic					
Manifold	Forged Brass					
Valves	Stainless Steel					
Water System:						
Inlet Water Strainer	Removable Bowl for inspection and cleaning of Stainless Steel Screen					
Float Tank Capacity (Gal./ Liters)	2.0 / 7.6					
Unloader	Pressure Trapping, Preset					
Heat Dump Valve	Relieves heated water during unloader bypass stage					
Detergent System	Adjustable high pressure					
Burner Fuel System:						
Fuel Type	No.1 or No.2 Fuel Oil, Diesel or Kerosene					
Fuel Capacity (Gal./liters)	10/37.9					
Fuel Filter/ Water Separator	Spin on (10 micron) filter/ E-Z water drain					
Fuel Pump	Two Line, Single Stage					
Fuel Pressure (PSI/ BAR)	145/ 10					
Fuel Nozzle	1.75 60° B Delavan					
Fuel Consumption (GPH/ LPH)	2.1/ 7.9 Cont. Burning					
Burner Electrical System:						
Voltage	208/ 230					
Amps	1.5					
Heat Exchanger:	Vertical, Top Fired, Dual Spiral Coil					
BTU Input	294,000					
Efficiency	86% with #2 Fuel Oil/ Diesel					
Smoke Density	0-3 per ASTM D2156					
Safety Relief:						
Pressure Switch	Shuts off burner fuel supply upon trigger release					
High Limit Switch	Shuts off burner fuel supply when outlet water temperature exceeds 210°F/ 99°C					
Fuel Solenoid Valve	120 Volt, controls fuel supply to burner					
Safety Relief	Relieves excess system pressure					
High Pressure Nozzle:	4				3.5	
Unit Net Weight (Lbs/Kg)	564/256	558/253	607/276	595/270	631/286	612/278
Unit Shipping Weight (Lbs/Kg)	694/315	688/312	737/335	732/332	761/345	742/337
Unit Net Dimension (In/Cm)	49.5Lx28Wx40.5H/126Lx70Wx103H					
Unit Shipping Dimension (In/Cm)	57.5Lx35.5Wx59.5H/146Lx90Wx151H					

GENERAL THEORY OF OPERATION

WATER FLOW: Connect a pressurized water source to the INLET GARDEN HOSE CONNECTION (1) and turn on the water supply. The water will flow through a WATER STRAINER (2) which has a removable inspection bowl and then through a FLOAT VALVE (3) into a WATER FLOAT TANK (4).

The water is then drawn into the TRIPLEX HIGH PRESSURE PUMP (5) which has an UNLOADER (6) that bypasses the water when the trigger gun is closed. To protect the pump from heated water during this bypass stage, a HEAT DUMP VALVE (7) will open at 140°F/60°C allowing the heated water to escape. The Heat Dump Valve automatically resets when the water cools. Attached to the pump is a PRESSURE SWITCH (8) that controls the fuel supply to the burner.

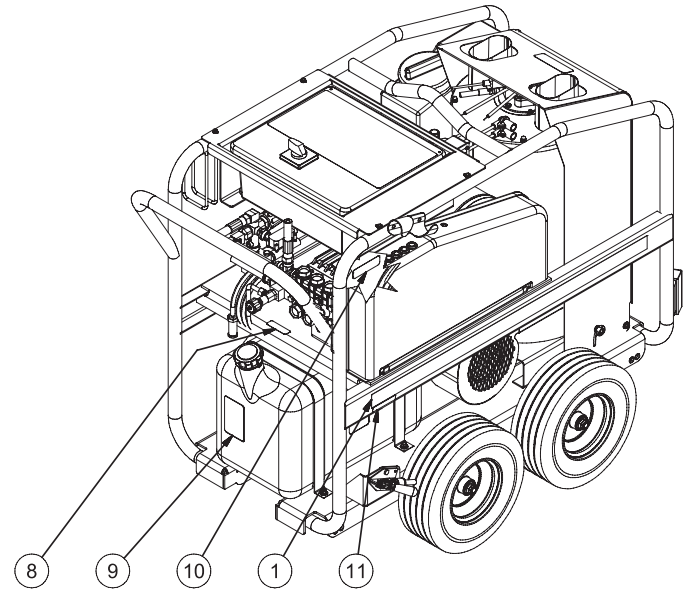
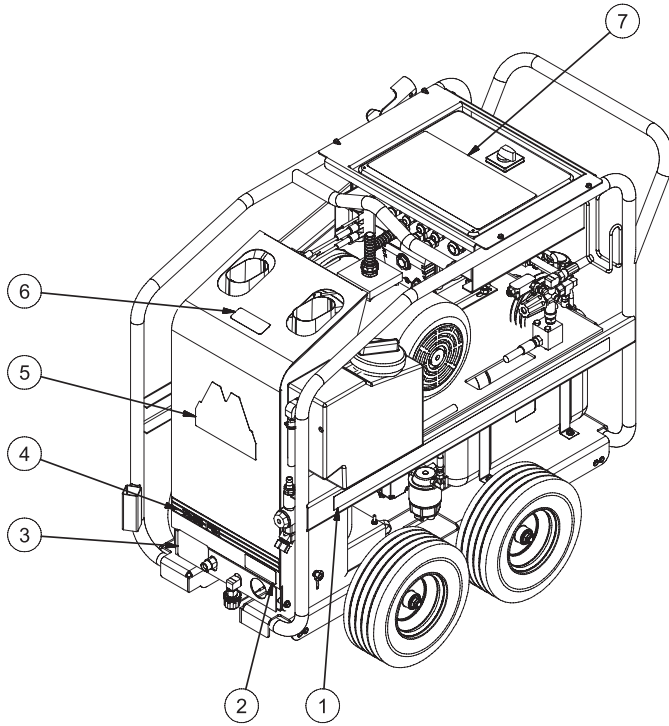
When using detergents, the solution passes through the DETERGENT STRAINER (9) located on the DETERGENT HOSE (10). The detergent solution then travels through the DETERGENT METERING VALVE (11).

From there, the water may be allowed to flow out of the DRAIN PLUG (12) or through HEAT EXCHANGER INLET (13) where it is heated when the burner is on. As the water exits the HEAT EXCHANGER OUTLET (14), it enters a safety system which protects the operator from danger. The safety system contains a HIGH TEMPERATURE LIMIT SWITCH (15) which senses the water temperature and shuts off the fuel supply to the burner if it gets too hot. If the unloader fails to bypass water or the burner remains on when the trigger gun is closed, the SAFETY RELIEF (16) will relieve and allow water to exit safely.

The heated water then flows through the HIGH PRESSURE HOSE (17) and to the TRIGGER GUN ASSEMBLY (18) which allows the operator to control the water spray. When the trigger gun is open, the water flows through the ADJUSTABLE PRESSURE DUAL LANCE (19) and exits the NOZZLE (20).

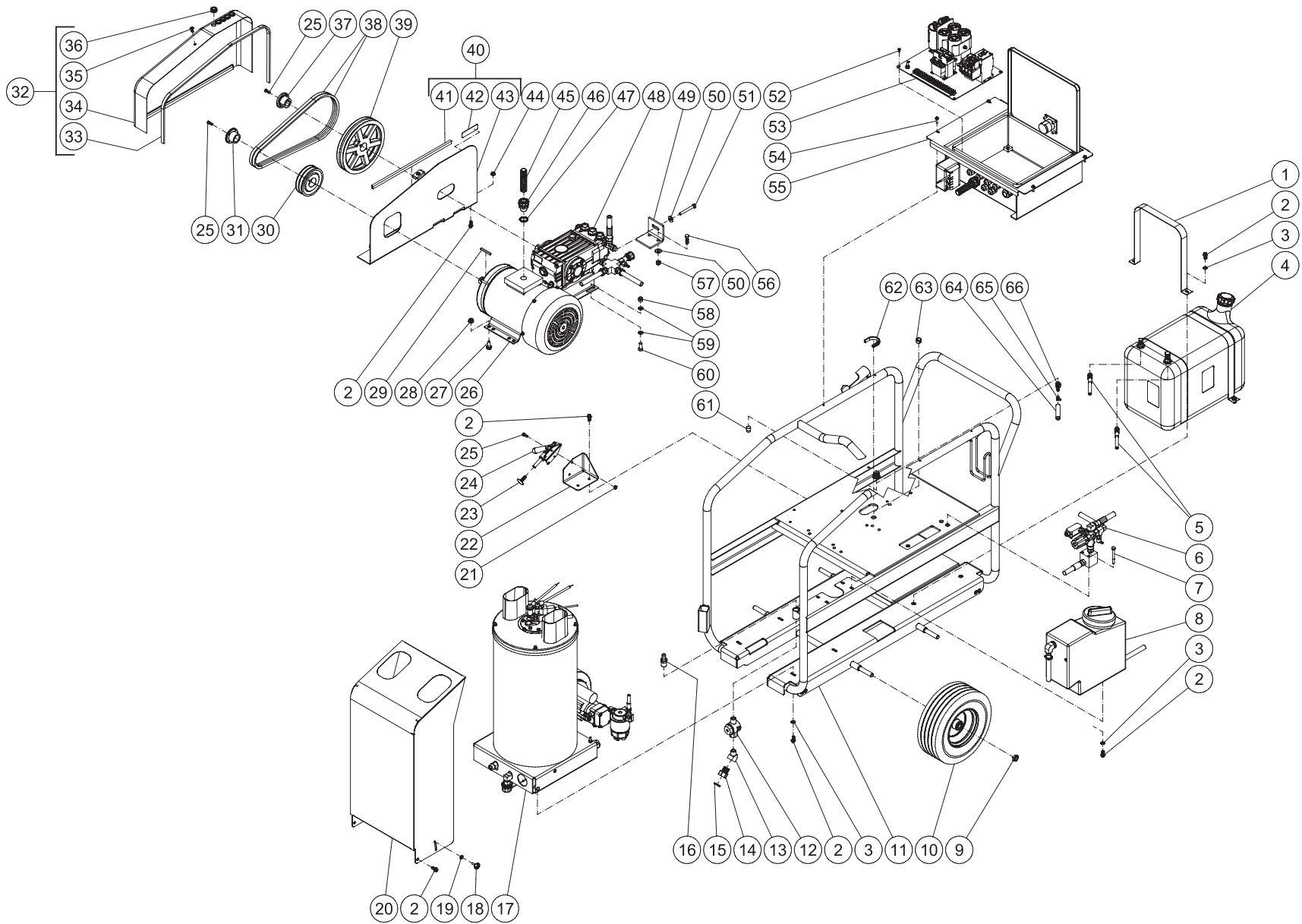
FUEL FLOW: The Fuel Pump draws fuel from the FUEL TANK (21) through a replaceable FUEL FILTER/WATER SEPARATOR (22) and into the FUEL PUMP (23). Fuel exits the fuel pump, into a FUEL SOLENOID VALVE (24) which controls fuel flow to the FUEL NOZZLE (25) where it ignites and burns in the heat exchanger.

SAFETY DECAL PLACEMENT



OMHSE021 012314 CH			
DECAL PLACEMENT			
ITEM	DESCRIPTION	PART #	QTY
1	DECAL - Mi-T-M STRIPE	N/A	2
2	DECAL - WARNING: RISK OF EXPLOSION (SEE 71-0057)	N/A	1
3	DECAL - DATA PLATE	N/A	1
4	DECAL - 14" STRIPE (HSE-2504)	N/A	1
-	DECAL - 14" STRIPE W/3000PSI (HSE-3004)	N/A	1
-	DECAL - 14" STRIPE W/3500PSI (HSE-3504)	N/A	1
5	DECAL - Mi-T-M	N/A	1
6	DECAL - HOT SURFACES (SEE 71-0057)	N/A	1
7	DECAL - WARNINGS/CAUTION/INSTRUCTIONS (SEE 71-0057)	N/A	1
8	DECAL - CHEMICAL VALVE (SEE 71-0057)	N/A	1
9	DECAL-CAUTION RISK OF FIRE (SEE 71-0057)	N/A	1
10	DECAL - WARNING (SEE 71-0057)	N/A	1
11	DECAL - PUMP OIL DRAIN (SEE 71-0057)	N/A	1
-	DECAL SET	71-0057	1

FRAME ASSEMBLY

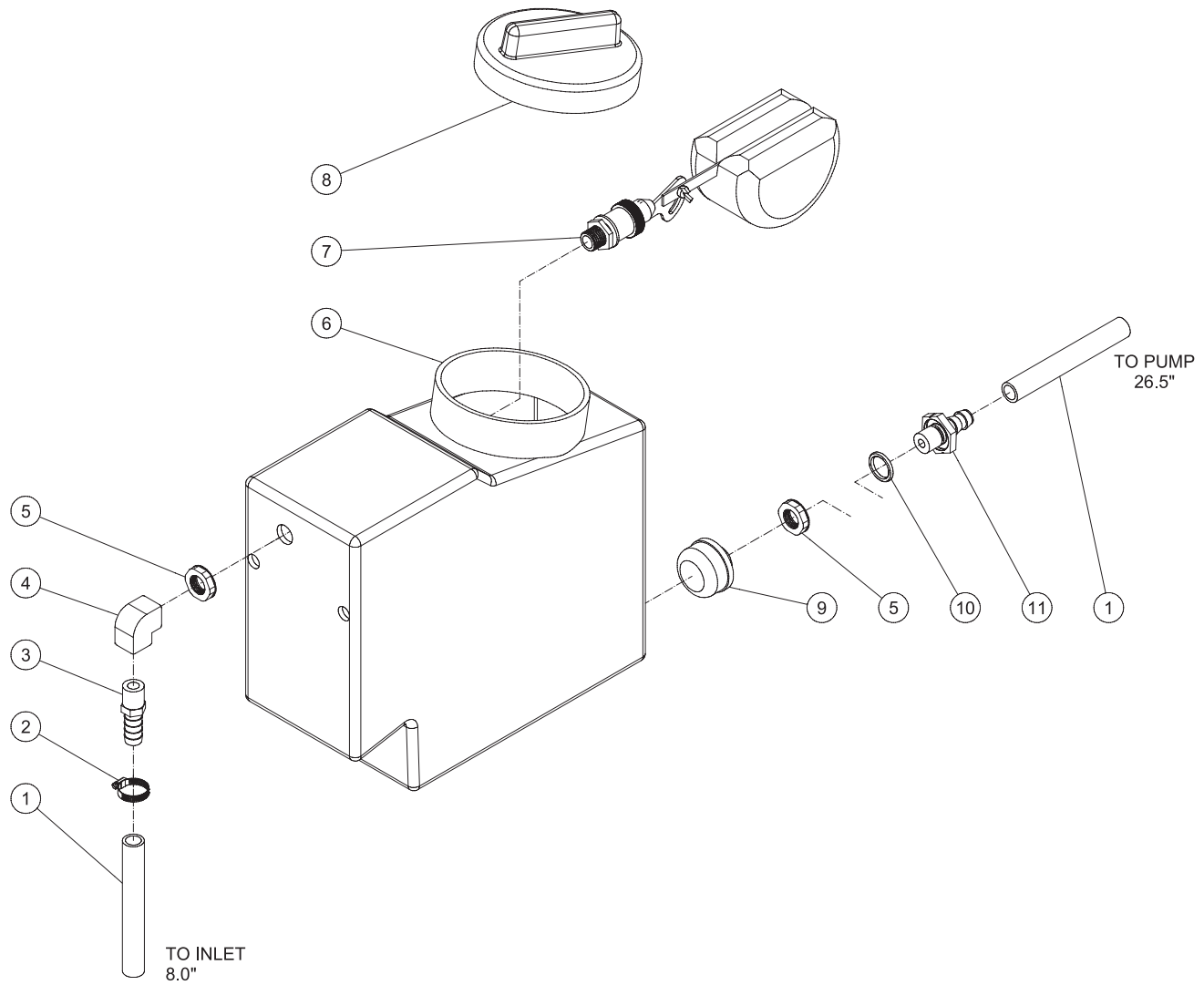


UNIT ASSEMBLY

ITEM	DESCRIPTION	PART #	QTY	ITEM	DESCRIPTION	PART #	QTY
1	FUEL TANK STRAP	20-0579A01	2	31	BUSHING (HSE-2504)	9-0010	1
2	BOLT	27-9524	20	-	BUSHING (HSE-3004 AND HSE-3504)	9-0008	1
3	WASHER	28-0003	12	32	BELTGUARD COVER ASSEMBLY	850-0242	1
4	FUEL TANK ASSEMBLY	850-0303	1	33	EDGING *(FOUR FEET REQUIRED)	33-0020	1
5	HP FUEL HOSE	15-0190	2	34	BELTGUARD COVER	6-0064A01	1
6	UNLOADER ASSEMBLY	N/A	1	35	FASTENER	33-0197	1
7	BOLT	27-8040	2	36	GROMMET	33-0001	5
8	FLOAT TANK ASSEMBLY	N/A	1	37	BUSHING	9-0017	1
9	LOCKNUT	30-0117	4	38	BELT (HSE-2504 AND HSE-3504)	11-0001	1
10	WHEEL	14-0127	4	-	BELT (HSE-3004)	11-0017	2
11	FRAME	5-0138A01	1	39	SHEAVE	10-0038	1
12	WATER FILTER	19-0096	1	40	BACKPLATE ASSEMBLY	850-0241	1
13	ELBOW	23-0344	1	41	EDGING *(FOUR FEET REQUIRED)	33-0020	1
14	SWIVEL	23-0095	1	42	DECAL - WARNING (SEE 71-0057)	N/A	1
15	GARDEN HOSE GASKET	26-0001	1	43	BELTGUARD BACK	6-0083A01	1
16	HOSE BARB	23-0005	1	44	NUT	30-3023	4
17	HEAT EXCHANGER ASSEMBLY	N/A	1	45	CONDUIT (HSE-2504) *(ONE FOOT REQUIRED)	32-0486	1
18	KNOB	62-0057	2	-	CONDUIT (HSE-3004 AND HSE-3504) *(ONE FOOT REQUIRED)	32-0486	1
19	WASHER	28-0002	2	46	CONDUIT STRAIGHT	32-0488	1
20	HOOD	20-0379A01	1	47	GASKET	26-0314	1
21	LOCKNUT	30-0155	2	48	PUMP ASSEMBLY	N/A	1
22	BRAKE BRACKET	20-1357A01	1	49	BRACKET	13-0003A01	1
23	BOLT	27-9550	1	50	WASHER	28-0023	3
24	PUSH/PULL TOGGLE CLAMP	33-0400	1	51	BOLT	27-0576	1
25	BOLT	27-0015	6	52	BOLT	27-8922	4
26	MOTOR - 6HP 208-230V 1 PHASE (HSE-2504-0M10)	2-0090	1	53	ELECTRIC PANEL ASSEMBLY	N/A	1
-	MOTOR 6HP 208-230/460V 3 PHASE (HSE-2504-0M30)	2-0091	1	54	BOLT	27-9527	4
-	MOTOR 10HP 208-230/460V 3PHASE (HSE-3504-0M30)	2-0095	1	55	CONTROL PANEL ASSEMBLY	N/A	1
-	MOTOR 10HP 230V 1PHASE (HSE-3504-0M10)	2-0094	1	56	BOLT	27-0118	2
-	MOTOR 8HP 208-230/460V 3 PHASE (HSE-3004-0M30)	2-0093	1	57	LOCKNUT	30-0159	2
-	MOTOR 8 HP 208-230V 1 PHASE (HSE-3004-0M10)	2-0092	1	58	LOCKNUT	30-0161	4
27	BOLT	27-8923	4	59	WASHER	28-0030	8
28	NUT	30-3030	4	60	BOLT	27-0166	4
29	KEY (HSE-2504)	43-0078	1	61	PLUG	24-0034	1
-	KEY (HSE-3004 AND HSE-3504)	-	1	62	EDGING *(ONE FOOT REQUIRED)	33-0020	1
30	SHEAVE (HSE-2504)	10-0065	1	63	CORD BUSHING	32-0465	1
-	SHEAVE (HSE-3004)	10-0036	1	64	HOSE *(TWO FEET REQUIRED)	15-0020	1
-	SHEAVE (HSE-3504)	10-0041	1	65	CLAMP WORM	42-0004	1
				66	HOSE BARB	23-0073	1

*MUST ORDER IN ONE FOOT LENGTHS

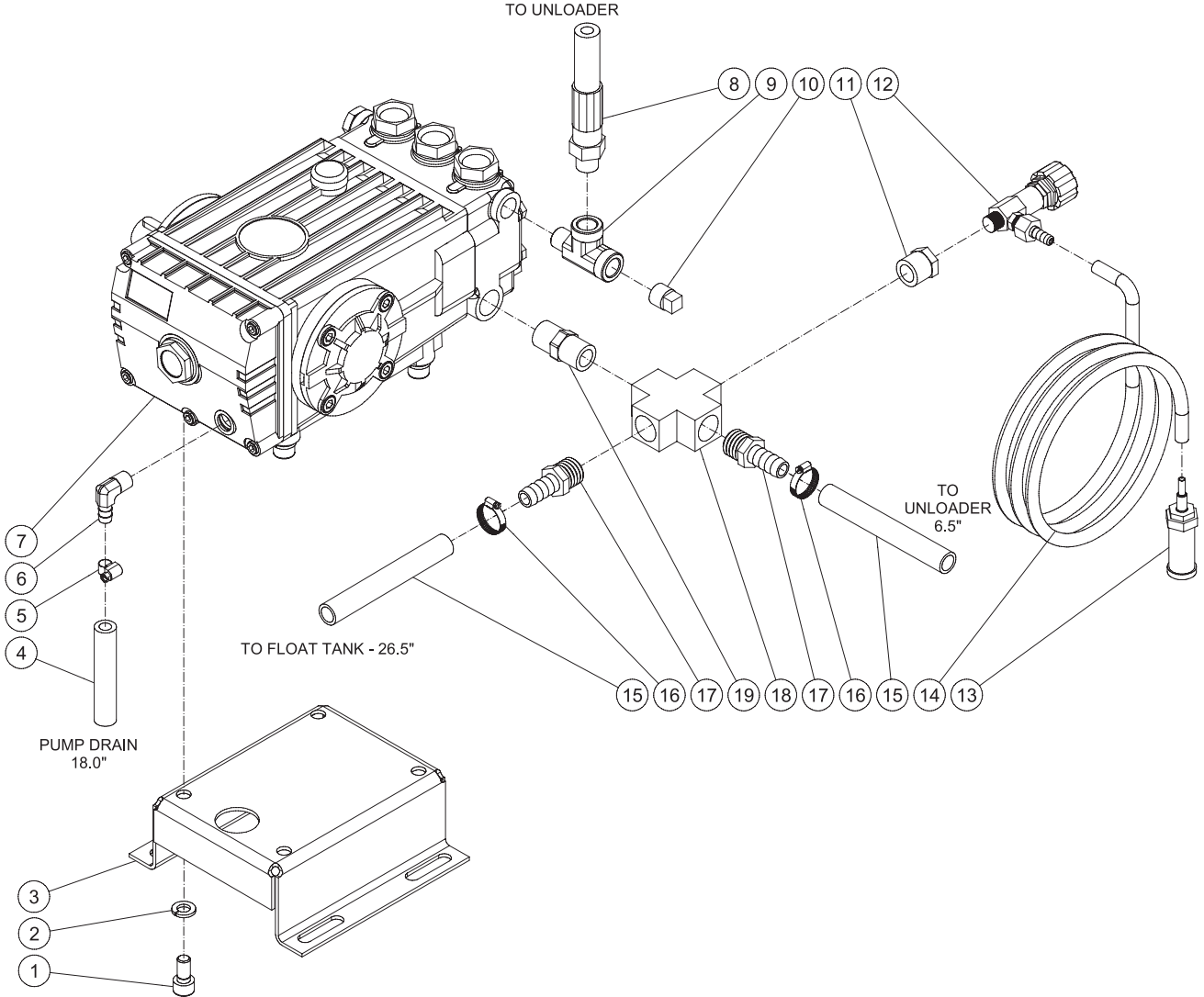
FLOAT TANK ASSEMBLY



OMHSE017 - FLOAT TANK 090214.JDK

OMHSE017 - FLOAT TANK 090214 JDK			
FLOAT TANK ASSEMBLY			
ITEM	DESCRIPTION	PART #	QTY
1	HOSE *(THREE FEET REQUIRED)	15-0007	1
2	HOSE CLAMP	42-0011	1
3	HOSE BARB	23-0105	1
4	ELBOW	23-0307	1
5	NUT	23-0138	2
6	FLOAT TANK	12-0066	1
7	FLOAT VALVE	850-0238	1
8	PLASTIC LID	39-0100	1
9	STRAINER	19-0273	1
10	O-RING	25-0427	1
11	HOSE BARB	23-0351	1
*MUST ORDER IN ONE FOOT LENGTHS			

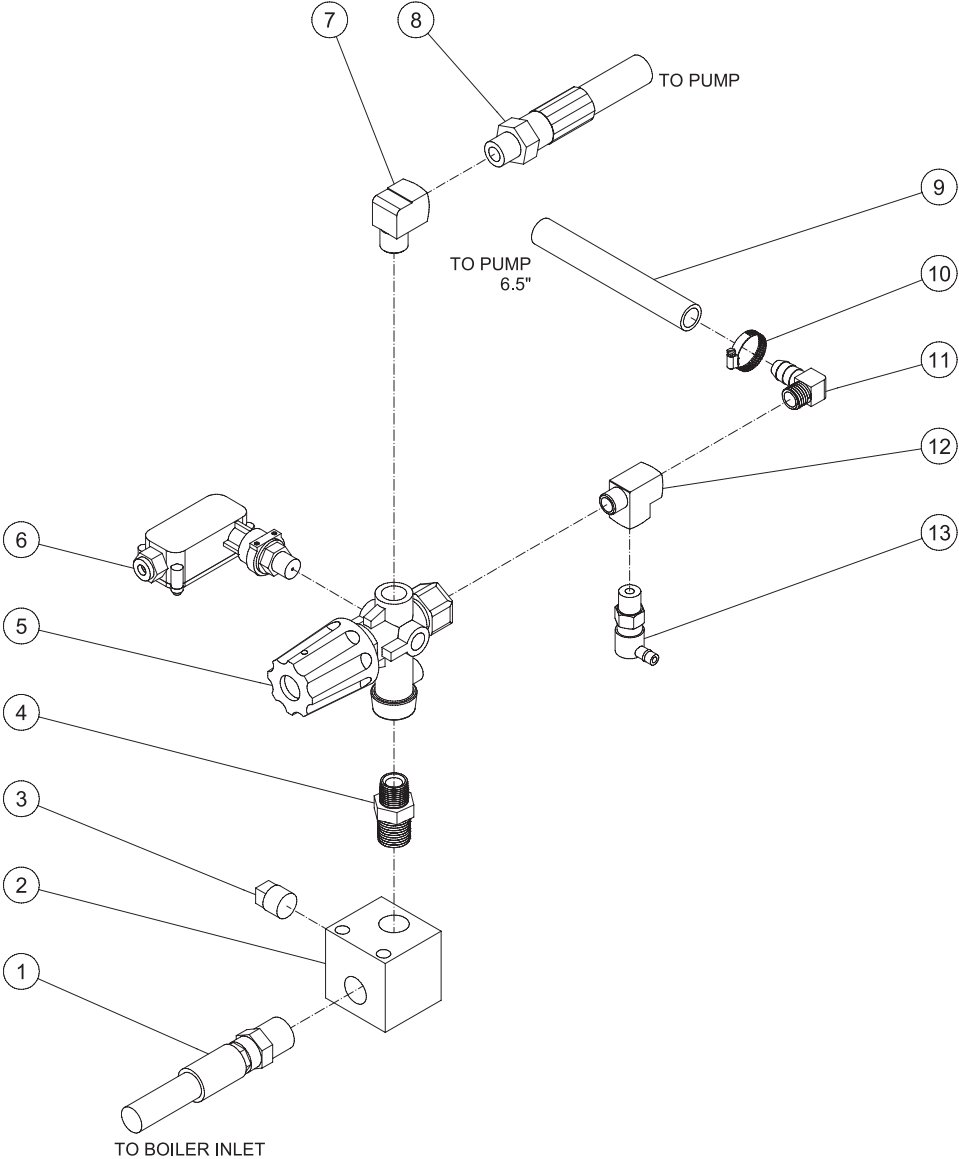
PUMP ASSEMBLY



OMHSE017 - PUMP 090413 CH

OMHSE017 PUMP 090413 CH			
PUMP ASSEMBLY			
ITEM	DESCRIPTION	PART #	QTY
1	BOLT	27-8471	4
2	LOCKWASHER	29-0055	4
3	PUMP HAT	5-0101A01	1
4	HOSE *(TWO FEET REQUIRED)	15-0020	1
5	CLAMP WORM	42-0004	1
6	ELBOW	23-0123	1
7	PUMP	3-0202	1
8	HIGH PRESSURE HOSE	15-0194	1
9	STREET TEE	23-0058	1
10	PLUG	24-0034	1
11	REDUCER	23-0056	1
12	DETERGENT VALVE	22-0226	1
13	STRAINER	19-0056	1
14	CHEMICAL HOSE *(SIX FEET REQUIRED)	15-0021	1
15	HOSE *(THREE FEET REQUIRED)	15-0007	1
16	HOSE CLAMP	42-0011	2
17	BARB	23-0045	2
18	CROSS	23-0071	1
19	NIPPLE	23-0012	1
*MUST ORDER IN ONE FOOT LENGTHS			

UNLOADER ASSEMBLY

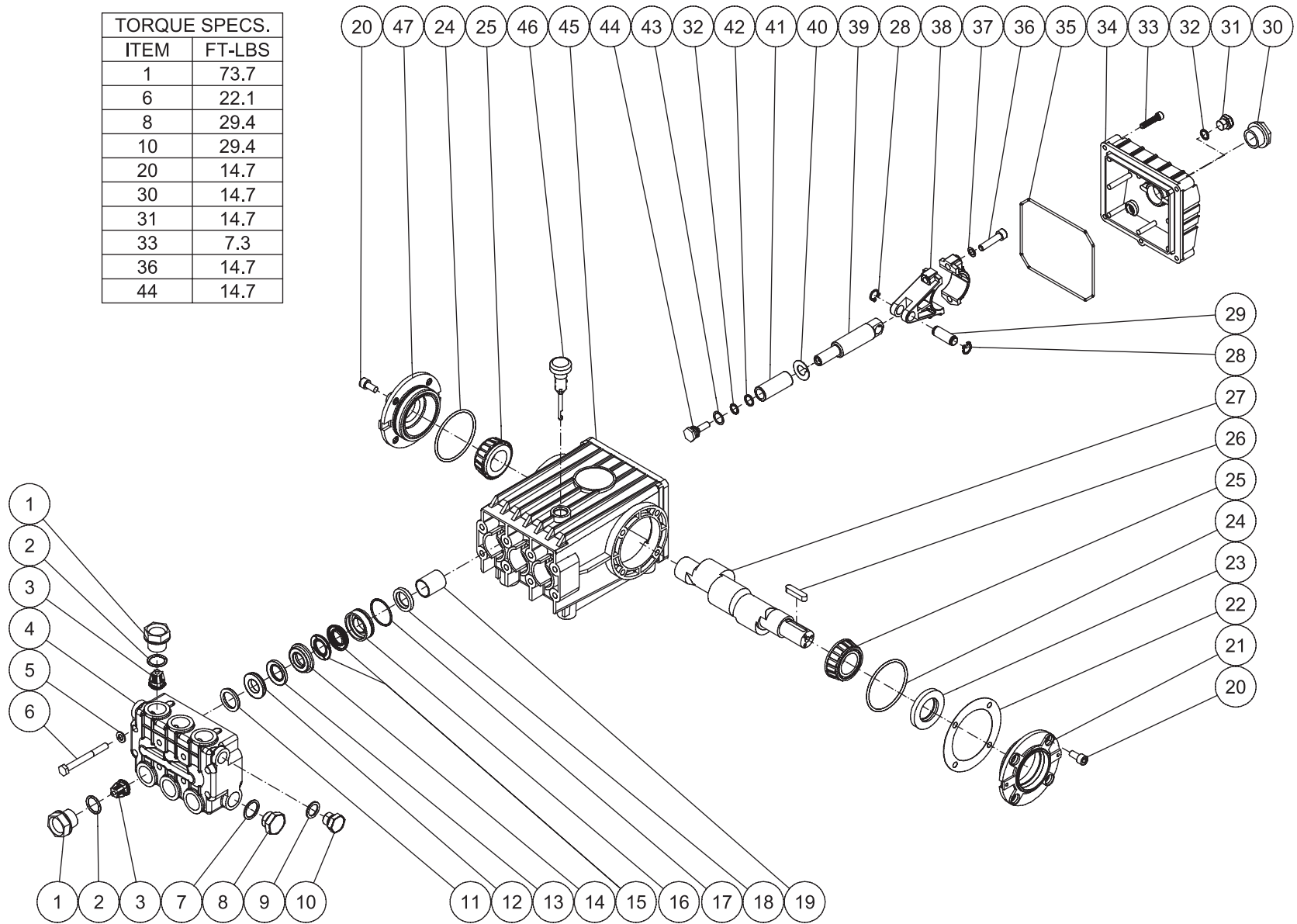


OMHSE017 - UNLOADER 090413 CH

OMHSE017 - UNLOADER 090413 CH			
UNLOADER ASSEMBLY			
ITEM	DESCRIPTION	PART #	QTY
1	HIGH PRESSURE HOSE	15-0192	1
2	MANIFOLD BLOCK	51-0022	1
3	PLUG	24-0034	1
4	ADAPTER	24-0024	1
5	UNLOADER	850-0252	1
6	PRESSURE SWITCH	22-0171	1
7	ELBOW	23-0034	1
8	HIGH PRESSURE HOSE	15-0194	1
9	HOSE *(SEVEN FEET REQUIRED)	15-0007	1
10	HOSE CLAMP	42-0011	1
11	ELBOW	23-0119	1
12	TEE	23-0127	1
13	HEAT DUMP VALVE	22-0408	1
*MUST ORDER IN ONE FOOT LENGTHS			

PUMP ASSEMBLY (3-0202) (AFTER SERIAL #15045000)

TORQUE SPECS.	
ITEM	FT-LBS
1	73.7
6	22.1
8	29.4
10	29.4
20	14.7
30	14.7
31	14.7
33	7.3
36	14.7
44	14.7

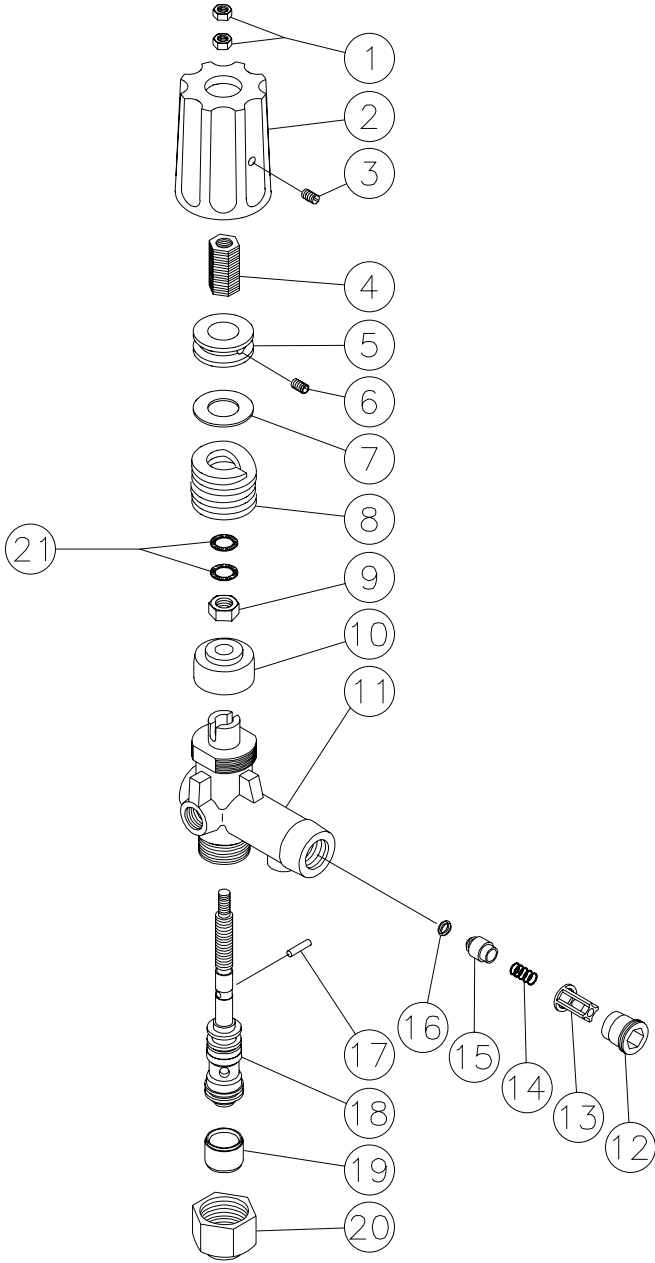


3-0202_3-0203 082713 JDK

PUMP ASSEMBLY							
ITEM	DESCRIPTION	PART #	QTY	ITEM	DESCRIPTION	PART #	QTY
1	VALVE CAP	46-0889	6	25	BEARING	48-0012	2
2	O-RING	25-0012	6	26	KEY	43-0048	1
3	VALVE (SEE KIT 70-0009)	SEE KIT	6	27	CRANKSHAFT	N/A	1
4	MANIFOLD	46-0890	1	28	RETAINING RING	46-0103	6
5	WASHER	28-1039	8	29	CONNECTING ROD PIN	43-0032	3
6	BOLT	27-8185	8	30	OIL LEVEL INDICATOR	46-0114	1
7	WASHER	28-1038	2	31	PLUG	39-0017	1
8	PLUG	39-0019	2	32	O-RING	25-0014	4
9	WASHER	28-1002	2	33	BOLT	27-8404	5
10	PLUG	39-0018	2	34	CRANKCASE OPEN COVER	46-0295	1
11	HEAD RING (SEE KIT 70-0030 AND 852-0122)	SEE KIT	3	35	O-RING	25-0339	1
12	V-PACKING SUPPORT (SEE KIT 70-0147 AND 852-0122)	SEE KIT	3	36	BOLT	27-8435	6
13	O-RING (SEE KIT 70-0147 AND 70-0148 AND 852-0122)	SEE KIT	3	37	LOCKWASHER	29-0154	6
14	HIGH PRESSURE INTERMEDIATE SEAL RETAINER (SEE KIT 70-0148)	SEE KIT	3	38	CONNECTING ROD	46-0051	3
15	PRESSURE SEAL (SEE KIT 70-0147 AND 852-0122)	SEE KIT	3	39	PISTON ROD	46-0056	3
16	LOW PRESSURE SEAL RETAINER	46-0057	3	40	SLINGER WASHER	46-0146	3
17	O-RING (SEE KIT 852-0122)	SEE KIT	3	41	PLUNGER	46-0052	3
18	OIL SEAL	26-0047	3	42	BACK-UP RING	46-0109	3
19	BUSHING	9-0029	3	43	WASHER	28-0400	3
20	BOLT	27-8431	8	44	NUT / PISTON	46-0069	3
21	CRANKCASE COVER	46-0296	1	45	CRANKCASE	46-0047	1
22	SHIM	46-0113	1	46	OIL DIP STICK	46-0144	1
23	OIL SEAL	26-0049	1	47	CRANKCASE COVER	46-0336	1
24	O-RING	25-0013	2				

REPLACEMENT KITS				
KIT#	DESCRIPTION	ITEMS	# OF ASSEMBLIES	# OF CYLINDERS
70-0009	VALVES	3	6	3
70-0030	HEAD RING	11	3	3
70-0147	V-PACKING	12, 13, 15	3	3
70-0148	INTERMEDIATE RETAINER	13, 14	3	3
852-0122	V-PACKING ASSY	11-13, 15, 17	3	3

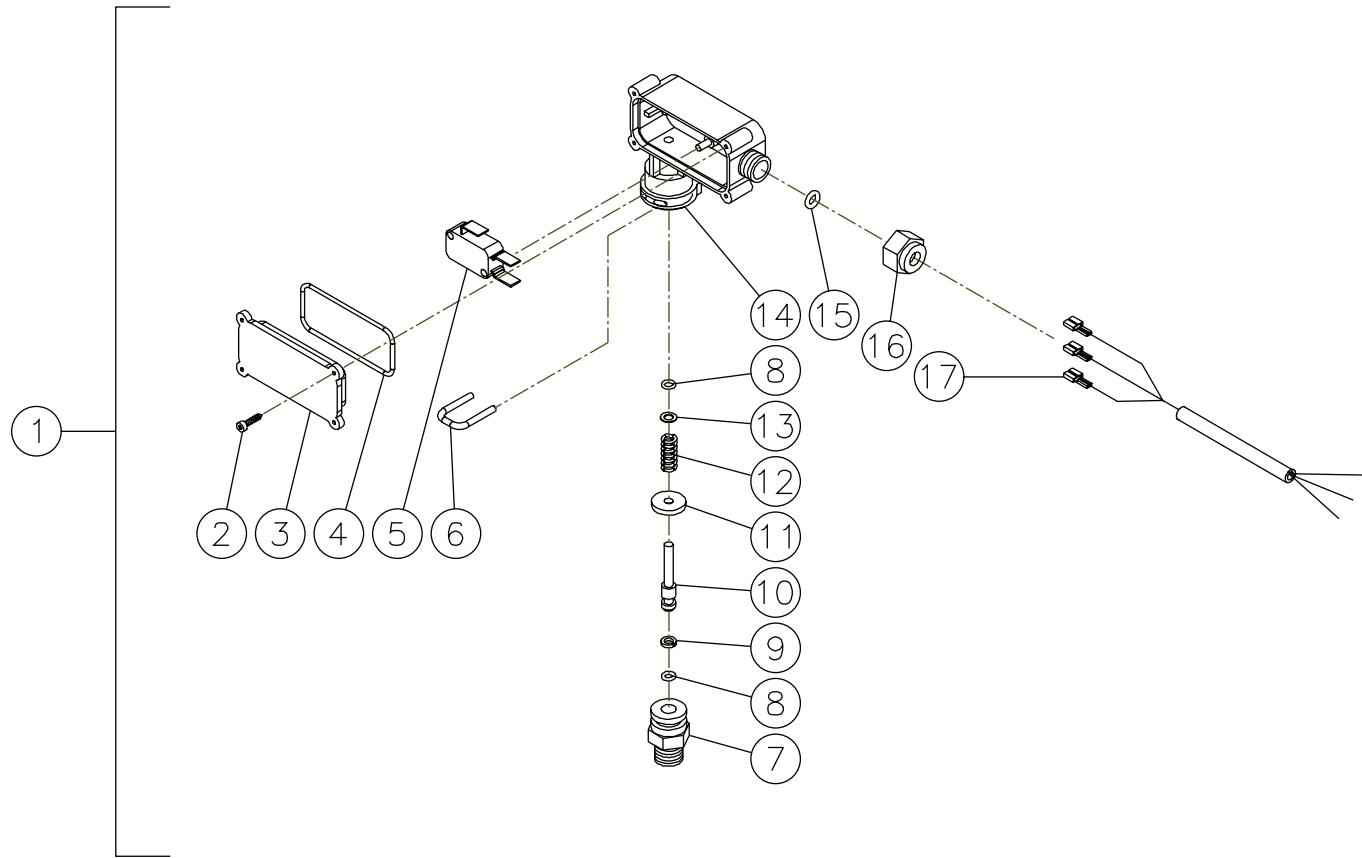
UNLOADER (850-0252)



OMGEN163-101298-BAR

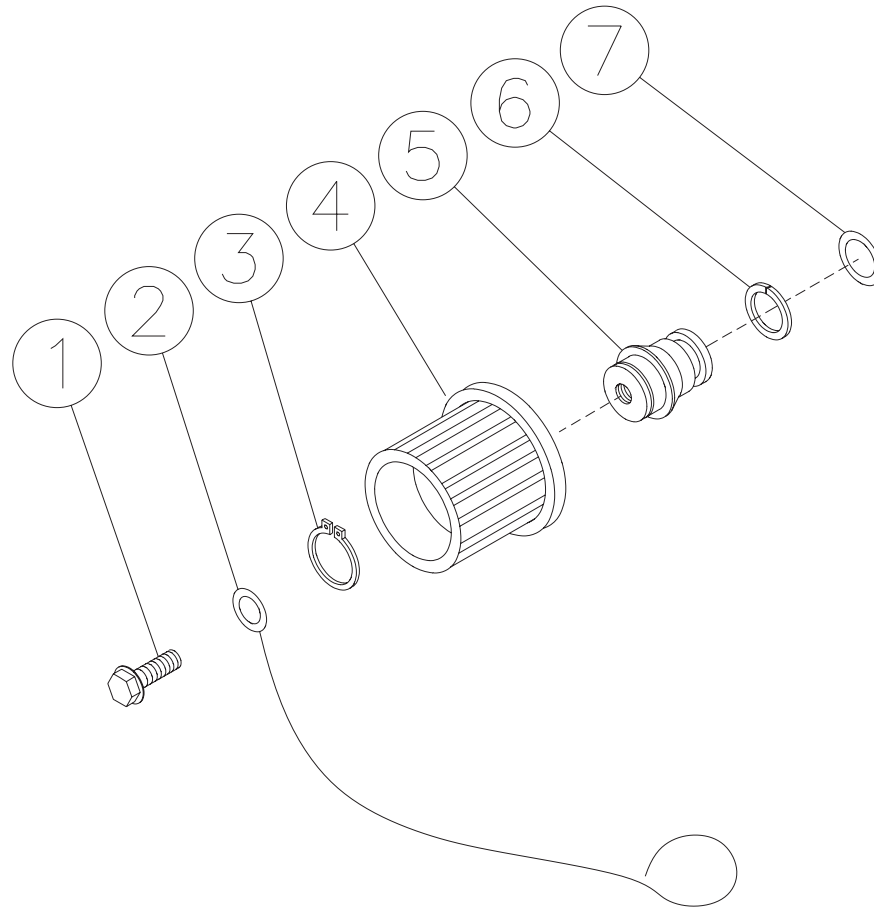
UNLOADER (850-0252)			
REF. #	DESCRIPTION	PART #	QTY.
1	Hex Nut	8-0362	2
2	Cover	7-0098	1
3	Set Screw	27-4280	1
4	Adjusting Insert- Brass	8-0363	1
5	Adjustment Nut	8-0364	1
6	Set Screw	8-0365	1
7	Glide Ring	8-0366	1
8	Spring	49-0104	1
9	Hex Nut	8-0367	1
10	Bushing	8-0368	1
11	Unloader Body	8-0369	1
12	Retainer	8-0269	1
13	Valve Housing	8-0104	1
14	Spring	49-0023	1
15	Valve	8-0105	1
16	O-ring	25-0036	1
17	Cylinder Pin	8-0372	1
18	Piston Repair Kit	70-0243	1
19	Spacer	8-0371	1
20	Stop Nut	8-0157	1
21	Washer	29-0154	2
	Check Valve Repair Kit (Includes 13-16)	70-0244	
	Unloader Complete	850-0252	

PRESSURE SWITCH (22-0171)



PRESSURE SWITCH (22-0171)			
REF. #	DESCRIPTION	PART #	QTY.
1	Pressure Switch	22-0171	1
2	Screw	N/A	4
3	Cover	N/A	1
4	O-ring (See 70-0306)	N/A Sep.	1
5	Micro Switch	N/A	1
6	Retainer Clip	N/A	1
7	Body	N/A	1
8	O-ring (See 70-0306)	N/A Sep.	2
9	Back-up Ring (See 70-0306)	N/A Sep.	1
10	Piston	N/A	1
11	Washer	N/A	1
12	Spring	49-0144	1
13	Washer	N/A	1
14	Plastic Housing	N/A	1
15	O-ring (See 70-0306)	N/A Sep.	1
16	Nut	N/A	1
17	Wire Assembly	N/A	1
	O-ring Repair Kit (Inc. 4, 8-9, 15)	70-0306	

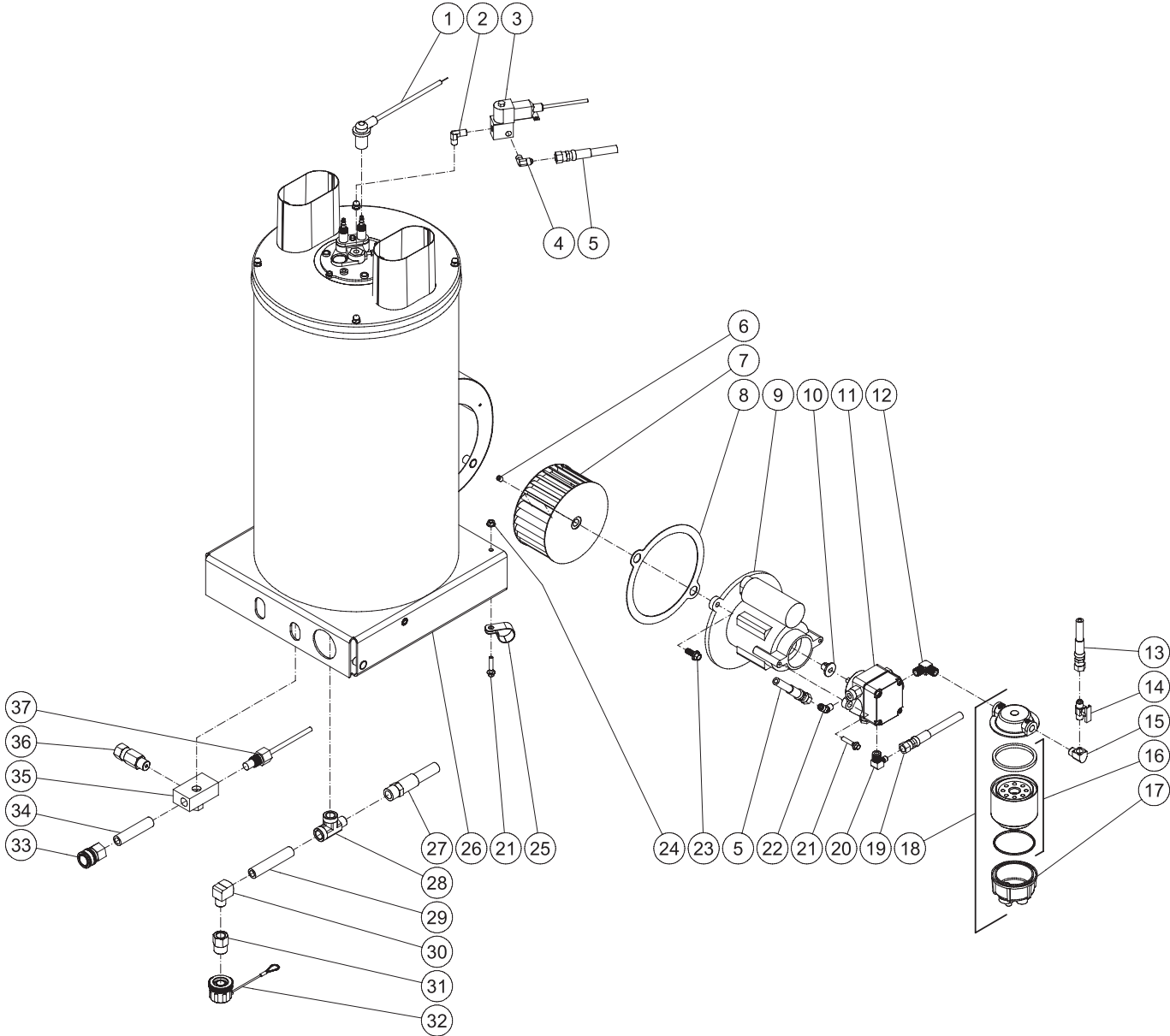
COIL DRAIN PLUG (850-0218)



850-0218-041597-BAR

COIL DRAIN PLUG (850-0218)			
REF. #	DESCRIPTION	PART #	QTY.
1	Bolt	27-9526	1
2	Retaining Cable	33-0260	1
3	Snap Ring	33-0261	1
4	Hand Wheel	16-0239	1
5	Plug	24-0147	1
6	Back-up Ring	25-0424	1
7	O-ring	25-0423	1

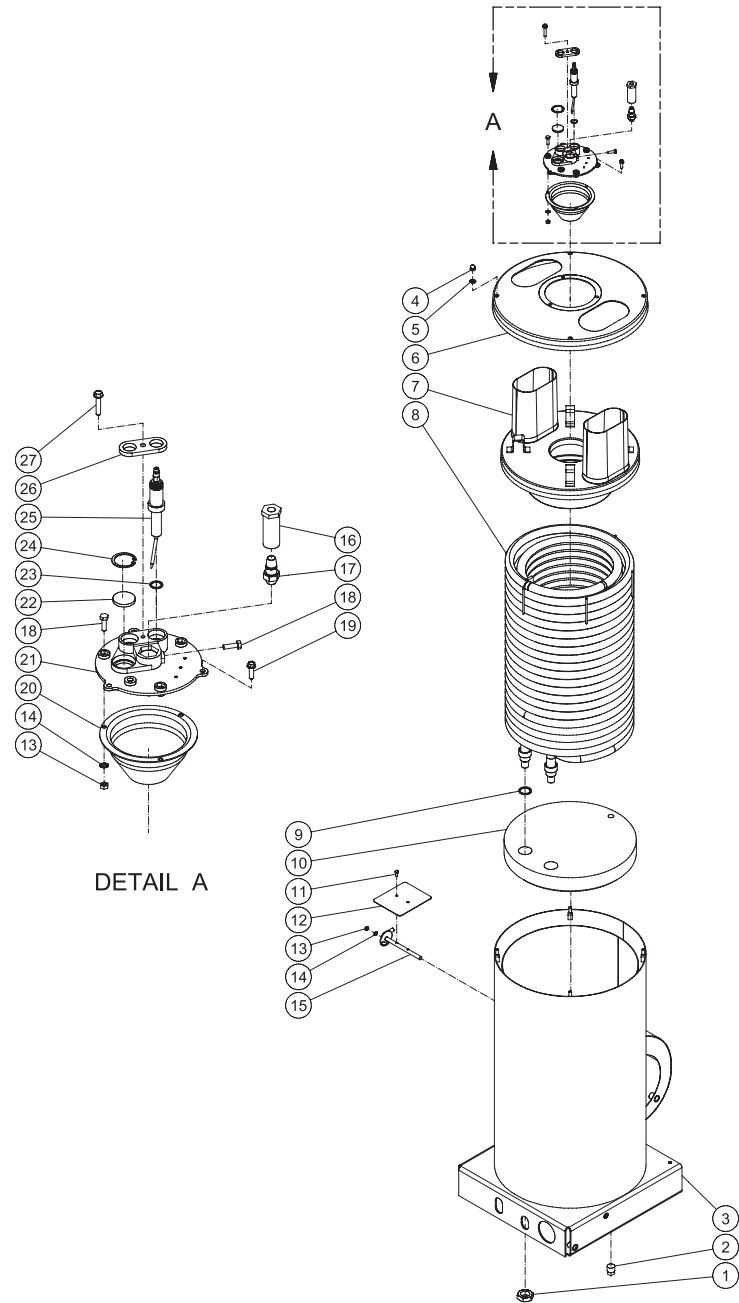
HEAT EXCHANGER/BLOWER MOTOR (AFTER SERIAL #22664)



OMHSE018 010915 KMD

HEAT EXCHANGER/BLOWER MOTOR			
ITEM	DESCRIPTION	Mi-T-M #	QTY
1	ELECTRODE WIRE	32-0988	2
2	ELBOW	23-0249	1
3	FUEL SOLENOID - 240V	44-0102	1
4	ELBOW	23-0287	1
5	HP FUEL HOSE	15-0165	1
6	SET SCREW (W/ BLOWER FAN)	30-3031	1
7	FAN/ BLOWER	44-0103	1
8	SHIM	20-0460A01	1
9	BLOWER MOTOR - 240V	2-0086	1
10	COUPLER (W/ BLOWER MOTOR)	33-0265	1
11	FUEL PUMP	3-0020	1
12	ELBOW	23-0130	1
13	FUEL HOSE	15-0147	1
14	FUEL VALVE	22-0265	1
15	ELBOW	23-0014	1
16	STRAINER - FUEL FILTER / WATER SEPARATOR	19-0053	1
17	BOWL - FUEL FILTER / WATER SEPARATOR	19-0071	1
18	FUEL FILTER / WATER SEPERATOR	19-0070	1
19	HP FUEL HOSE	15-0190	1
20	ELBOW	23-0237	1
21	BOLT	27-8898	3
22	ELBOW	23-0288	1
23	BOLT	27-9524	2
24	NUT	30-3022	1
25	CLIP	33-0291	1
26	HEAT EXCHANGER ASSEMBLY	850-0240	1
27	HIGH PRESSURE HOSE	15-0192	1
28	STREET TEE	23-0058	1
29	PIPE NIPPLE	24-0165	1
30	ELBOW	23-0034	1
31	ADAPTER	23-0279	1
32	DRAIN PLUG ASSEMBLY	850-0218	1
33	QC SOCKET	17-0004	1
34	PIPE NIPPLE	24-0141	1
35	OUTLET CONNECTOR	24-0138	1
36	PRESSURE RELIEF VALVE	22-0273	1
37	HI LIMIT SWITCH	32-0798	1

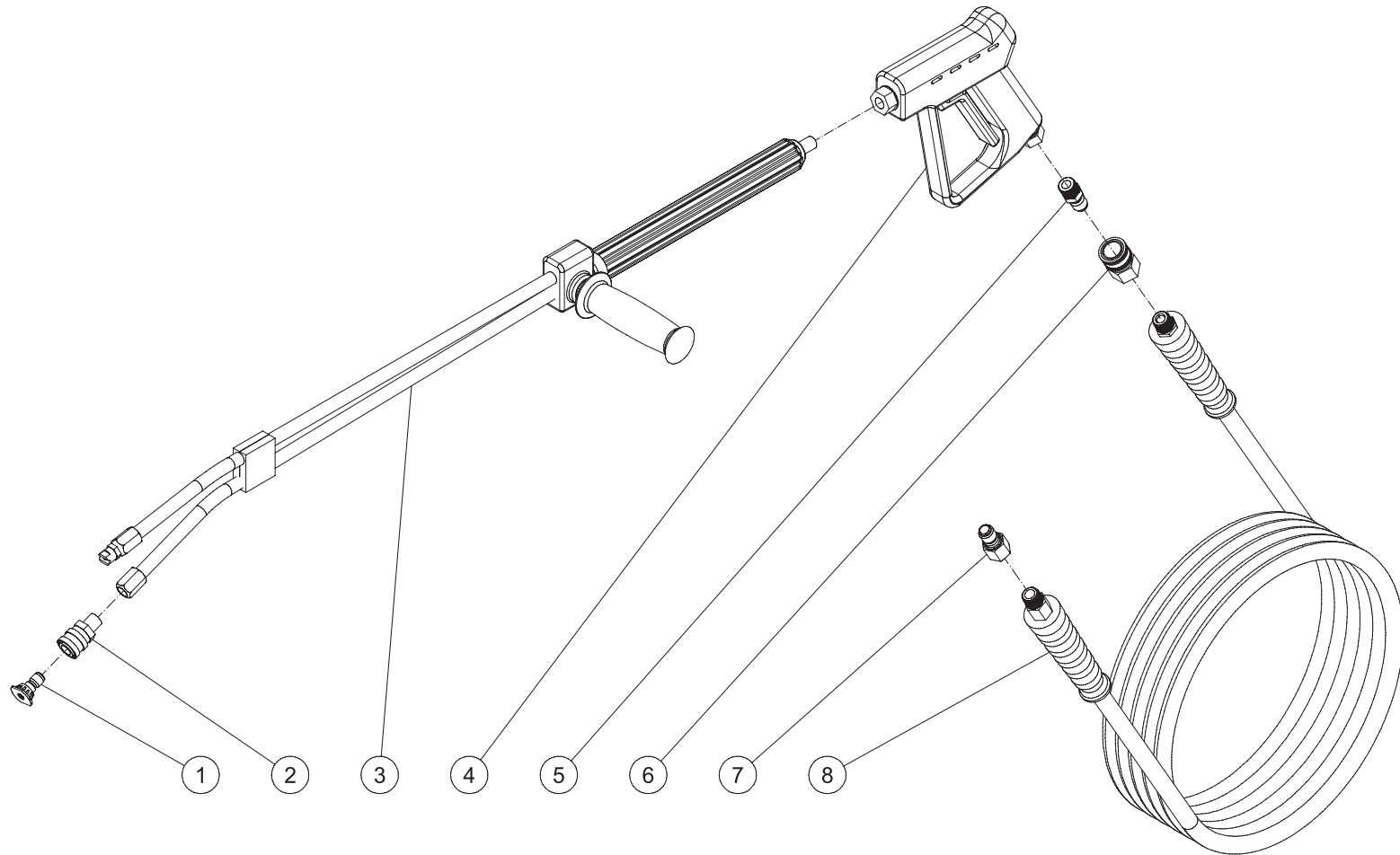
BOILER ASSEMBLY (850-0240) (AFTER SERIAL # 15047915)



850-0240-071311-CH

850-0240 071311 CH			
BOILER ASSEMBLY			
ITEM	DESCRIPTION	PART #	QTY
1	NUT	30-0121	2
2	PLUG	24-0034	1
3	OUTER WRAP	20-0431A01	1
4	ACORN NUT	30-6002	4
5	LOCKWASHER	28-1028	4
6	TOP PAN	20-0371A01	1
7	INNER PAN ASSEMBLY	20-0372	1
8	HEAT EXCHANGER COIL	66-0011	1
9	WASHER	28-0521	2
10	INSULATION	33-0250	1
11	BOLT	27-8879	2
12	AIR DIVERTER	20-0378A01	1
13	NUT	30-6001	4
14	STAR WASHER	28-1009	4
15	AIR DIVERTER STEM	20-0377A01	1
16	FUEL NOZZLE HOLDER	23-0292	1
17	FUEL NOZZLE	18-0308	1
18	BOLT	27-8878	4
19	BOLT	27-9526	3
20	CONE	20-0373	1
21	ELECTRODE PLATE	38-0065	1
22	SIGHT GLASS	33-0252	1
23	WASHER	28-0523	2
24	SNAP RING	33-0254	1
25	ELECTRODE	32-0987	2
26	ELECTRODE BRACKET	20-1094A01	1
27	BOLT	27-8807	1

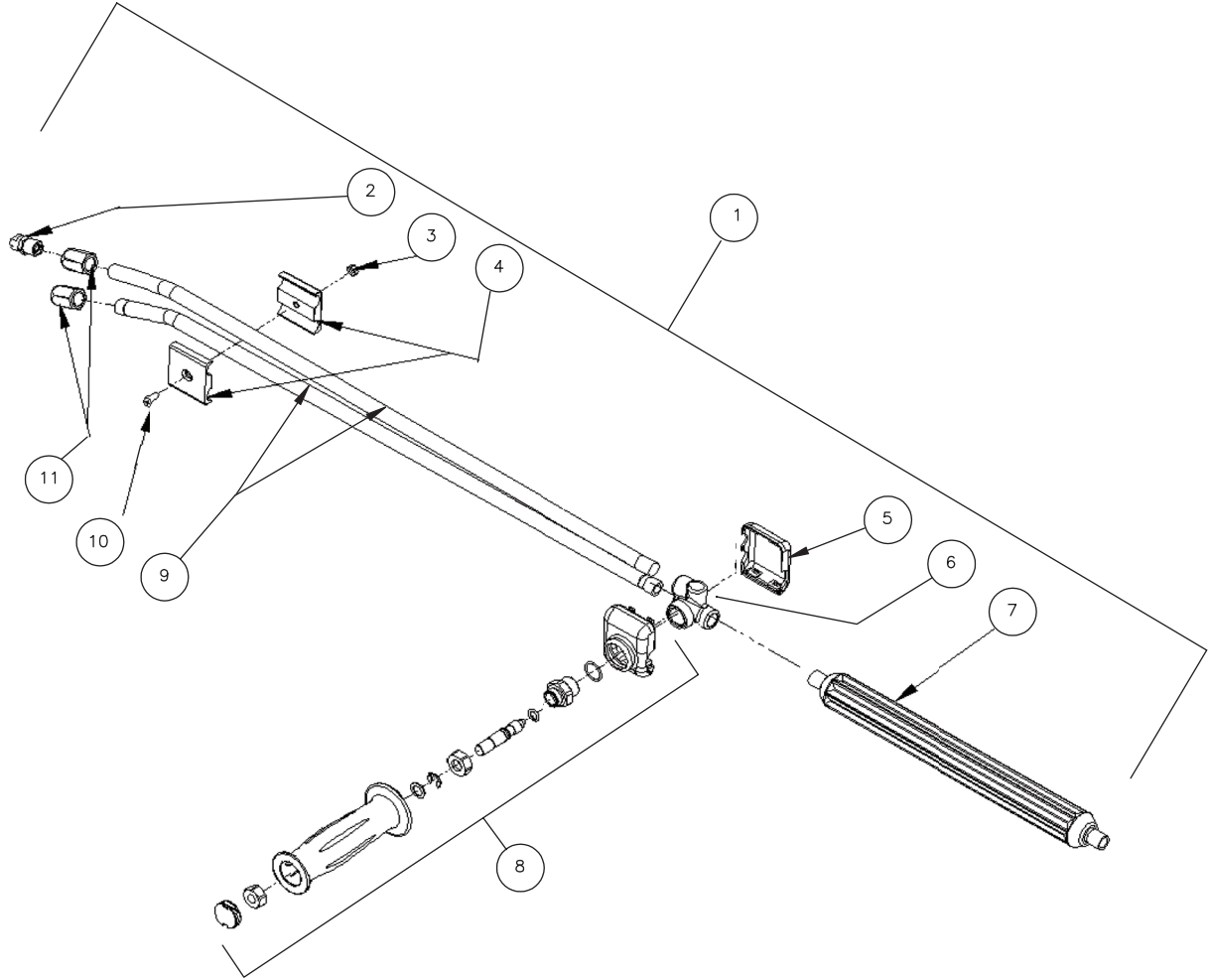
GUN/WAND/HOSE ASSEMBLY



HSE LG - GUN_WAND_HOSE_ASSY 010915 KMD

HSE LG - GUN_WAND_HOSE ASSY 010915 KMD			
GUN / WAND / HOSE ASSEMBLY			
ITEM	DESCRIPTION	PART #	QTY
1	NOZZLE 00035 QC (3504)	18-0392	1
-	NOZZLE 15035 QC (3504)	18-0393	1
-	NOZZLE 25035 QC (3504)	18-0395	1
-	NOZZLE 40035 QC (3504)	18-0396	1
-	NOZZLE 00040 QC (2504, 3004)	18-0397	1
-	NOZZLE 15040 QC (2504, 3004)	18-0399	1
-	NOZZLE 25040 QC (2504, 3004)	18-0400	1
-	NOZZLE 40040 QC (2504, 3004)	18-0401	1
2	QC 1/4MP X 1/4 SOCKET	17-0028	1
3	DUAL LANCE - 36" (2504, 3004)	16-0416	1
-	DUAL LANCE - 48" (3504)	16-0417	1
4	TRIGGER GUN 5000 PSI	16-0001	1
5	QC 3/8MX3/8 PLUG SS	17-0005	1
6	QC 3/8FX3/8 SOCKET BRASS	17-0004	1
7	QC 3/8F X 3/8 PLUG SS	17-0006	1
8	HOSE 3/8" X 50' 3/8M 3000 PSI (2504)	15-0146	1
-	HOSE 3/8" X 50' 3/8M 4500 PSI (3004, 3504)	15-0166	1

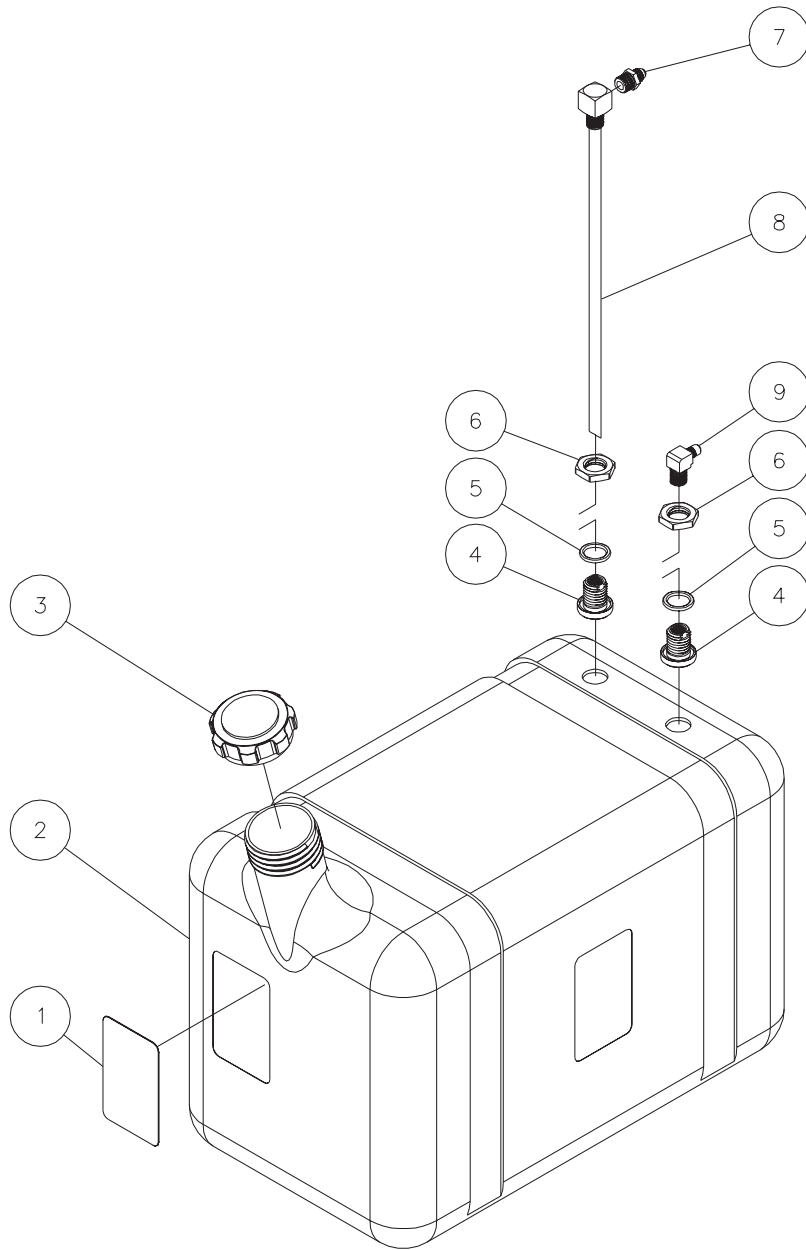
DUAL LANCE ASSEMBLY (16-0416 & 16-0417)



16-0416_16-0417-102405-RZ

DUAL LANCE ASSEMBLY (16-0416 & 16-0417)			
REF. #	DESCRIPTION	PART #	QTY.
1	Dual Lance Assembly - 36" (Inc. 2-11)	16-0416	1
-	Dual Lance Assembly - 48" (Inc. 2-11)	16-0417	1
2	Detergent Nozzle	18-0110	1
3	Nut	30-6001	1
4	Clamp	16-0420	2
5	Lower Valve Cover (See 16-0416 or 16-0417)	N/A Sep.	1
6	Housing (See 16-0416 or 16-0417)	N/A Sep.	1
7	Lance	16-0419	1
8	Handle Repair Kit	70-0419	1
9	Lance (See 16-0416)	N/A Sep.	2
-	Lance (See 16-0417)	N/A Sep.	2
10	Screw	27-8196	1
11	Nozzle Adapter	24-0280	2

FUEL TANK (850-0290)



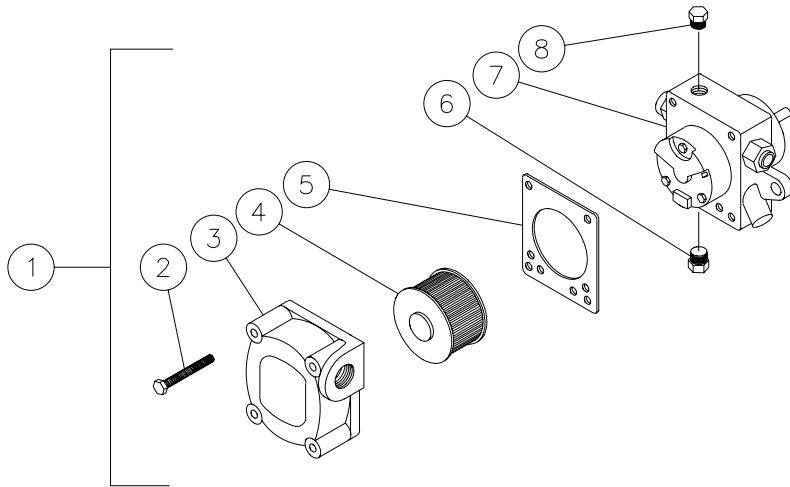
850-0290-121100-KS

FUEL TANK (850-0290)			
REF #	DESCRIPTION	PART #	QTY
1	Decal- Caution: Risk of Fire (See 34-9012)	N/A Sep.	1
2	Fuel Tank	12-0126	1
3	Vented Fuel Cap	12-0033	1
4	Bulkhead Fitting	23-0408	2
5	O-ring	25-0427	2
6	Nut	23-0409	2
7	Flare	23-0247	1
8	Fuel Pick-up	33-0352	1
9	Elbow	23-0237	1
	Fuel Tank Assembly (Includes 1-9)	850-0290	
	Safety Decal Kit (Includes 1)	34-9012	

850-0290-121100-KS

FUEL PUMP (3-0020)

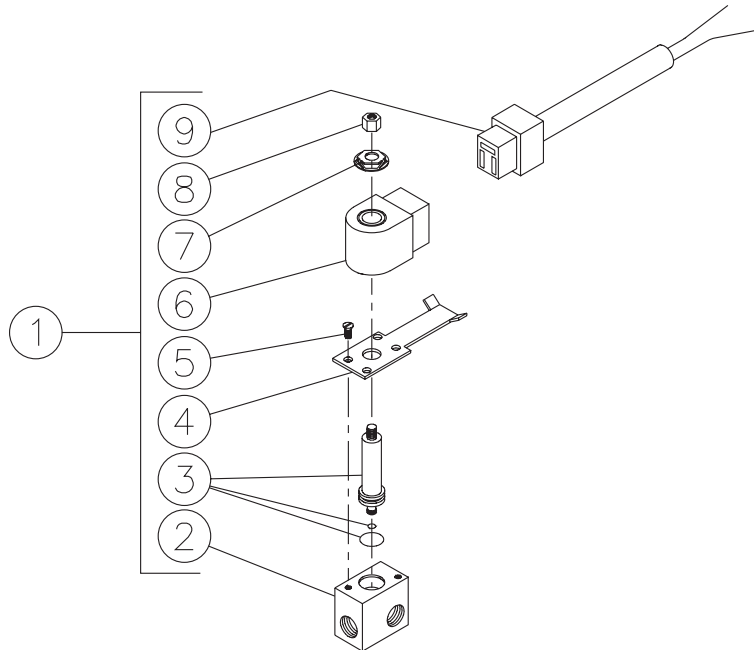
HSP018-3-0020-041597-BAR



FUEL PUMP (3-0020)			
REF. #	DESCRIPTION	PART #	QTY.
1	Fuel Pump Complete-Right Hand	3-0020	1
2	Cover Screw	46-1006	4
3	Cover-Right Hand	46-1005	1
4	Strainer	19-0034	1
5	Cover Gasket	26-0109	1
6	Plug	24-0044	2
7	Body	N/A	1
8	Plug	24-0082	1

FUEL SOLENOID (44-0101)

OMHSP013-44-0101-121698-BAR

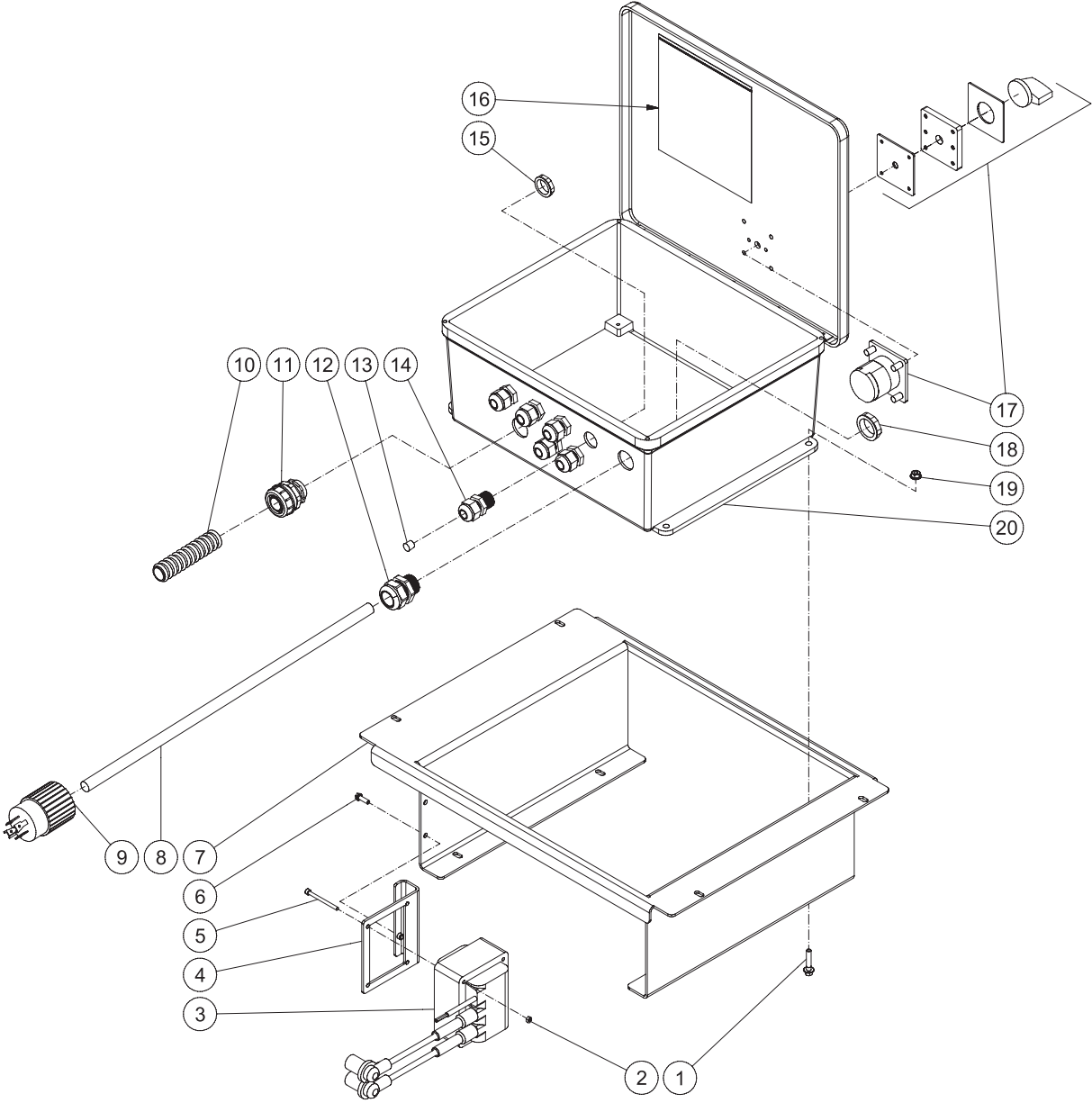


FUEL SOLENOID (44-0101)			
REF. #	DESCRIPTION	PART #	QTY.
1	Solenoid Complete-120V	44-0101	1
2	Solenoid Body	46-1013	1
3	Solenoid Piston	46-1012	1
4	Solenoid Base	46-1014	1
5	Screw (See 44-0101)	N/A Sep.	2
6	Solenoid Coil-120V	46-1020	1
7	Spring (See 44-0101)	N/A Sep.	1
8	Piston Nut	46-1016	1
9	Din Connector Cord	32-0443	1

OMHSP018-041597-BAR

OMHSP013-121698-BAR

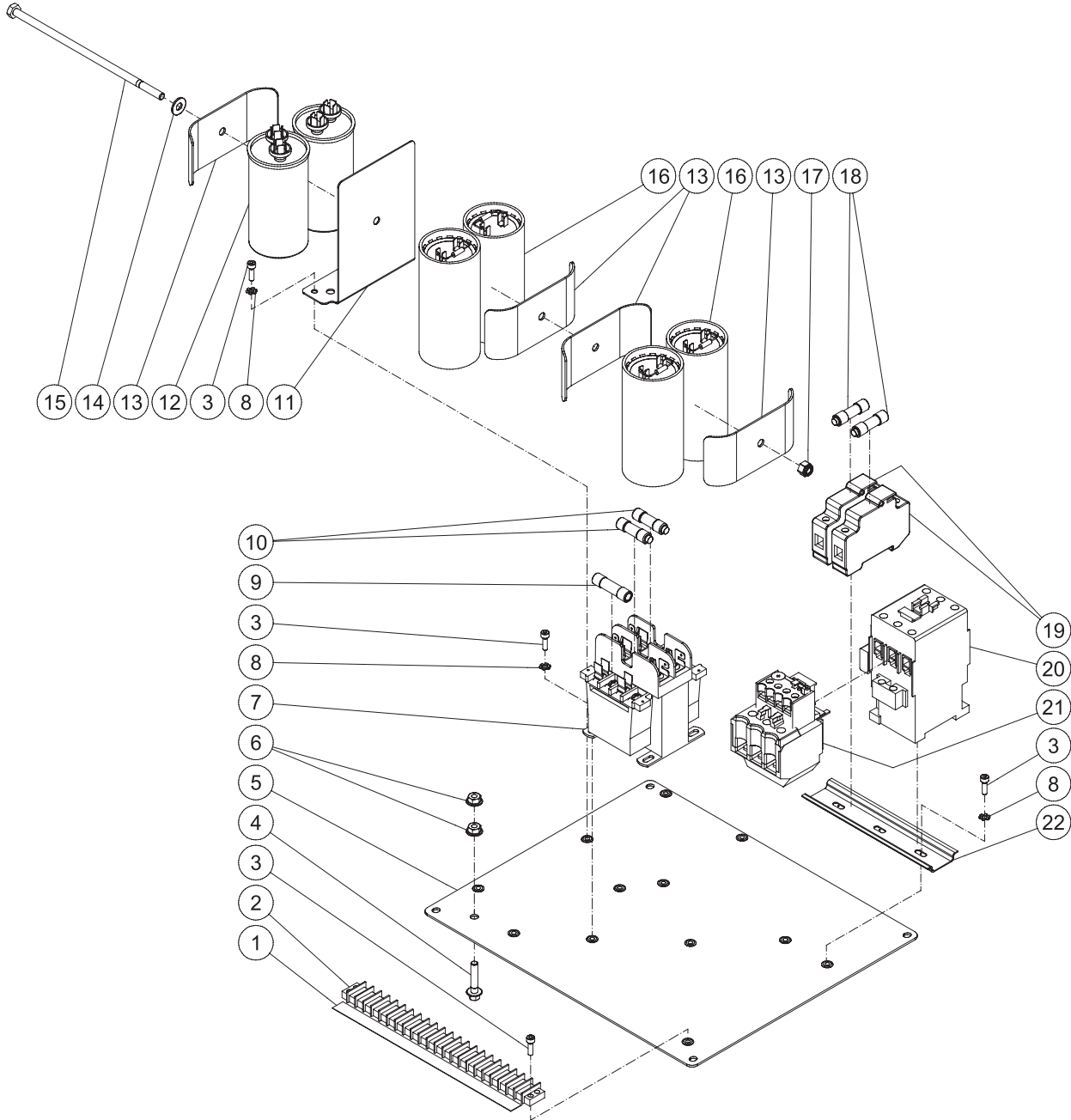
CONTROL PANEL



OMHSE020 090413 CH

CONTROL PANEL ASSEMBLY			
ITEM	DESCRIPTION	PART #	QTY
1	BOLT	27-8898	4
2	NUT	30-0137	4
3	IGNITOR W/WIRES	850-0223	1
4	IGNITOR BRACKET	20-0418A01	1
5	SCREW	27-8899	4
6	BOLT	27-9526	2
7	CONTROL PANEL	20-0432A01	1
8	CORD *(THIRTY SEVEN FEET REQUIRED) (HSE-2504-0M30)	32-0025	1
-	CORD *(THIRTY SEVEN FEET REQUIRED) (HSE-3004-0M10)	32-0021	1
-	CORD *(THIRTY SEVEN FEET REQUIRED) (HSE-3004-0M30 AND HSE-3504-0M30)	32-0023	
-	CORD *(THIRTY SEVEN FEET REQUIRED) (HSE-3504-0M10)	32-0504	1
-	CORD *(THIRTY SEVEN FEET REQUIRED) (HSE-2504-0M10)	32-0334	1
9	PLUG (HSE-2504-0M30)	32-0118	1
-	PLUG (HSE-3004-0M10 AND HSE-3504-0M10)	32-0012	1
-	PLUG (HSE-3004-0M30 AND HSE-3504-0M30)	32-0037	1
10	CONDUIT *(ONE FOOT REQUIRED) (HSE-2504)	32-0486	1
-	CONDUIT *(ONE FOOT REQUIRED) (HSE-3004 AND HSE-3504)	32-0486	1
11	CONDUIT STRAIGHT	32-0488	1
12	CORD RELIEF	9-0046	1
-	BUSHING (HSE-3504-0M10)	9-0048	1
13	PLUG	32-0514	1
14	STRAIN RELIEF	32-0437	6
15	ELECTRICAL LOCKNUT	32-0108	6
16	PLASTIC ZIPLOCK BAG	41-0184	1
17	CAM SWITCH	32-1061	1
18	ELECTRICAL LOCKNUT	32-0292	1
-	LOCKNUT ELECTRICAL (HSE-3504-0M10)	32-0515	1
19	NUT	30-3022	4
20	ELECTRIC BOX	32-0462	1
*MUST ORDER IN ONE FOOT LENGTHS			

ELECTRIC PANEL SINGLE PHASE

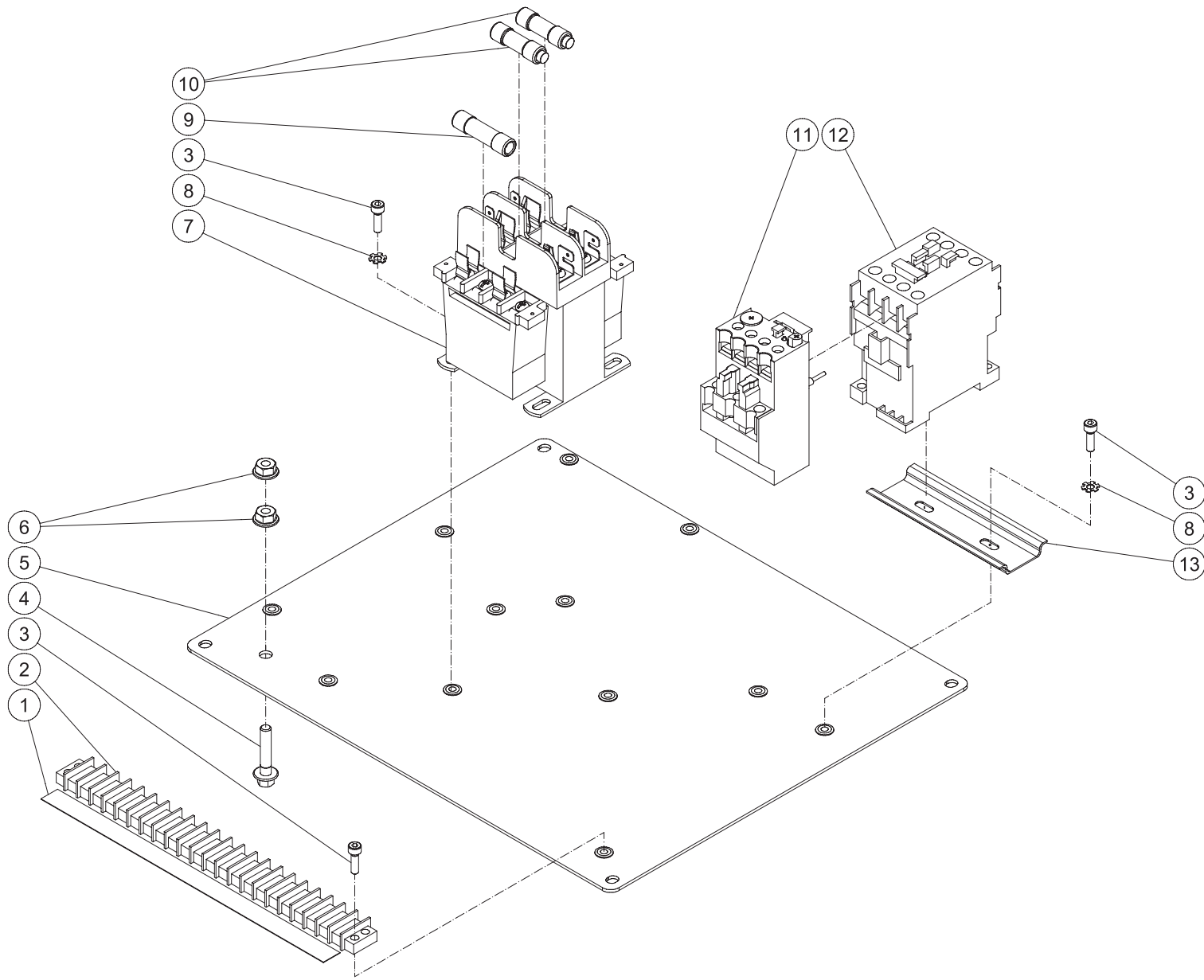


OMHSE023 090613 CH

ELECTRIC PANEL SINGLE PHASE			
ITEM	DESCRIPTION	PART #	QTY
1	DECAL - TERMINAL STRIP (SEE 71-0057)	N/A	1
2	TERMINAL STRIP	32-0463	1
3	SCREW	27-8835	8
4	BOLT	27-8898	1
5	ELECTRIC PANEL	20-0434A06	1
6	NUT	30-3022	2
7	TRANSFORMER	32-0313	1
8	STAR WASHER	28-1009	6
9	FUSE 0.6A	32-0471	1
10	FUSE 0.5A	32-0467	2
11	BRACKET	20-0437A01	1
12	CAPACITOR - RUN (W/MOTOR) (HSE-3004-0M10)	32-0520	2
-	CAPACITOR - RUN (W/MOTOR) (HSE-2504-0M10)	32-0518	2
-	CAPACITOR - RUN (W/MOTOR) (HSE-3504-0M10)	32-0519	2
13	CAPACITOR CLAMP (HSE-3004-0M10)	20-0467	4
-	CAPACITOR CLAMP (HSE-2504-0M10 AND HSE-3504-0M10)	20-0467	1
14	WASHER (HSE-3004-0M10)	28-0002	1
-	WASHER (HSE-2504-0M10 AND HSE-3504-0M10)	28-0001	1
15	BOLT (HSE-3004-0M10)	27-0038	1
-	BOLT (HSE-2504-0M10 AND HSE-3504-0M10)	27-0759	1
16	CAPACITOR - START (W/MOTOR) (HSE-3004-0M10)	32-0517	4
-	CAPACITOR - START (W/MOTOR) (HSE-2504-0M10 AND HSE-3504-0M10)	32-0516	4
17	LOCKNUT (HSE-3004-0M10)	30-0155	1
-	LOCKNUT (HSE-2504-0M10 AND HSE-3504-0M10)	30-0154	1
18	FUSE 5A	32-0470	2
19	FUSE HOLDER	32-0473	2
20	CONTACTOR 43A 3 POLE (HSE-3004-0M10 AND HSE-2504-0M10)	32-0479	1
-	CONTACTOR 60A 3 POLE (HSE-3504-0M10)	32-0480	1
21	OVERLOAD RELAY 30-45A (HSE-3004-0M10)	32-0485	1
-	OVERLOAD RELAY 18-30A (HSE-2504-0M10)	32-0484	1
-	OVERLOAD RELAY 45-60A (HSE-3504-0M10)	32-0490	1
22	DIN RAIL *(ONE FOOT REQUIRED) (HSE-3004-0M10 AND HSE-3504-0M10)	32-0316	1
-	DIN RAIL *(ONE FOOT REQUIRED) (HSE-2504-0M10)	32-0316	1

*MUST ORDER IN ONE FOOT LENGTHS

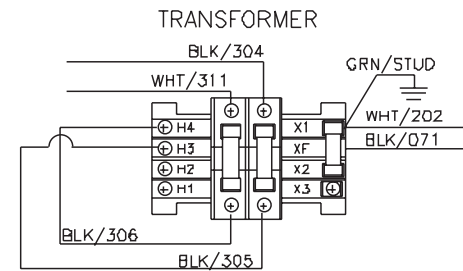
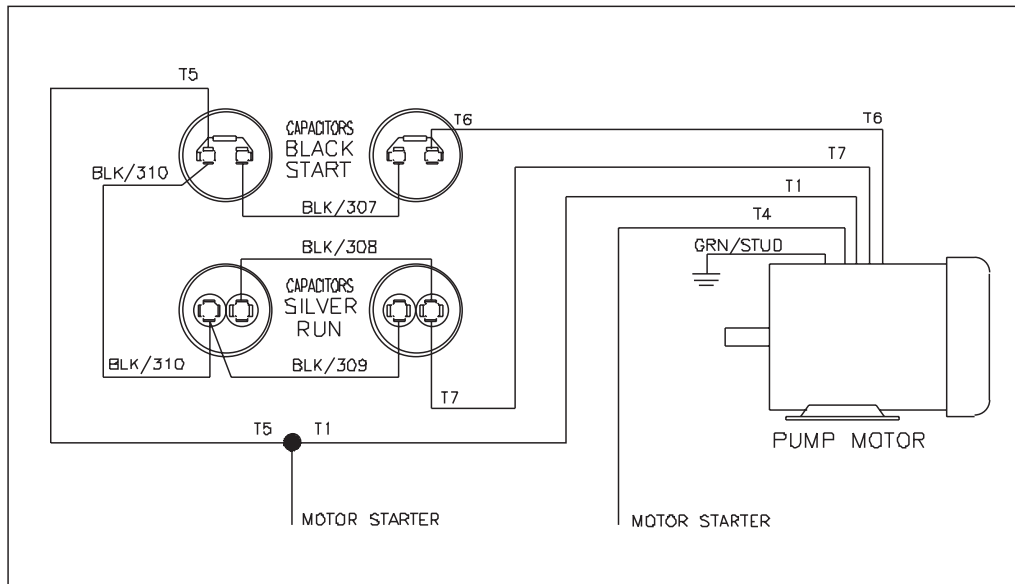
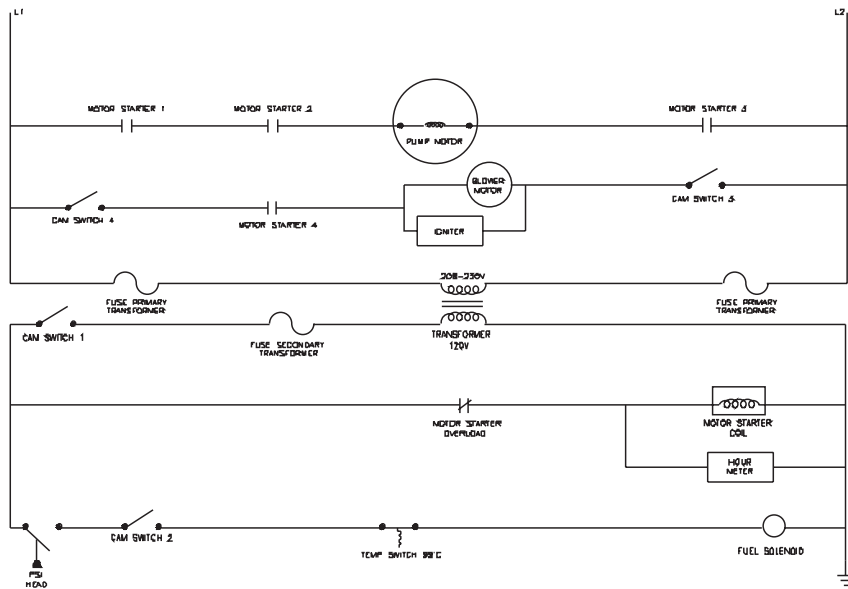
ELECTRIC PANEL THREE PHASE



OMHSE022 083013 CH

OMHSE022 083013 CH			
ELECTRICAL PANEL THREE PHASE			
ITEM	DESCRIPTION	PART #	QTY
1	DECAL - TERMINAL STRIP (SEE 71-0057)	N/A	1
2	TERMINAL STRIP	32-0463	1
3	SCREW	27-8835	6
4	BOLT	27-8898	1
5	ELECTRIC PANEL	20-0434A06	1
6	NUT	30-3022	2
7	TRANSFORMER	32-0313	1
8	STAR WASHER	28-1009	4
9	FUSE 0.6A	32-0471	1
10	FUSE 0.5A	32-0467	2
11	OVERLOAD RELAY 16-24A (HSE-2504-0M30)	32-0483	1
-	OVERLOAD RELAY 18-30A (HSE-3004-0M30 AND HSE-3504-0M30)	32-0484	1
12	CONTACTOR 23A 4 POLE (HSE-2504-0M30)	32-0477	1
-	CONTACTOR 30A 3 POLE (HSE-3004-0M30 AND HSE-3504-0M30)	32-0478	1
13	DIN RAIL *(ONE FOOT REQUIRED) (HSE-2504-0M30)	32-0316	1
	DIN RAIL *(ONE FOOT REQUIRED) (HSE-3004-0M30 AND HSE-3504-0M30)	32-0316	1
*MUST ORDER IN ONE FOOT LENGTHS			

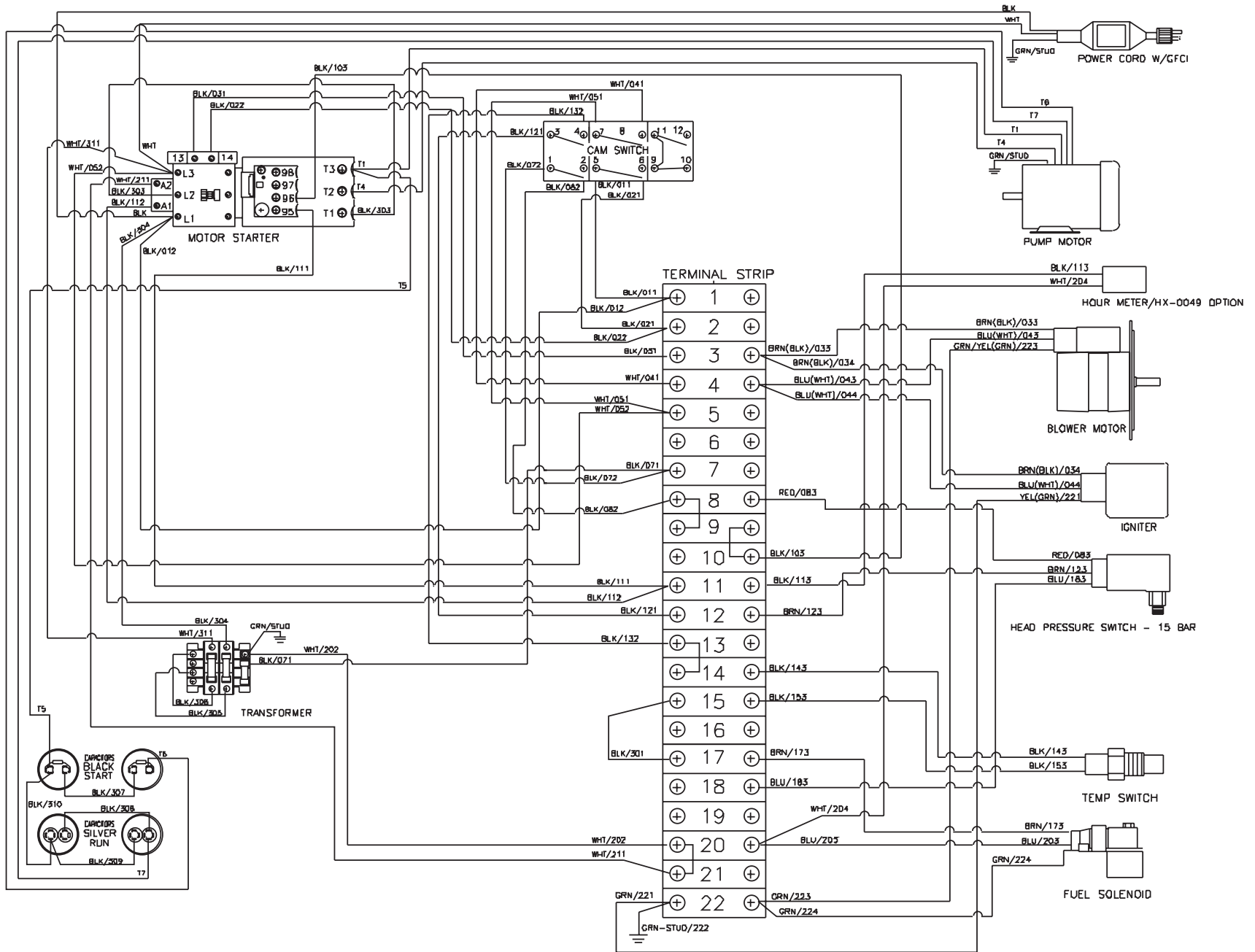
WIRING SCHEMATIC FOR HSE-2504-0M10 (208-230 VOLT)



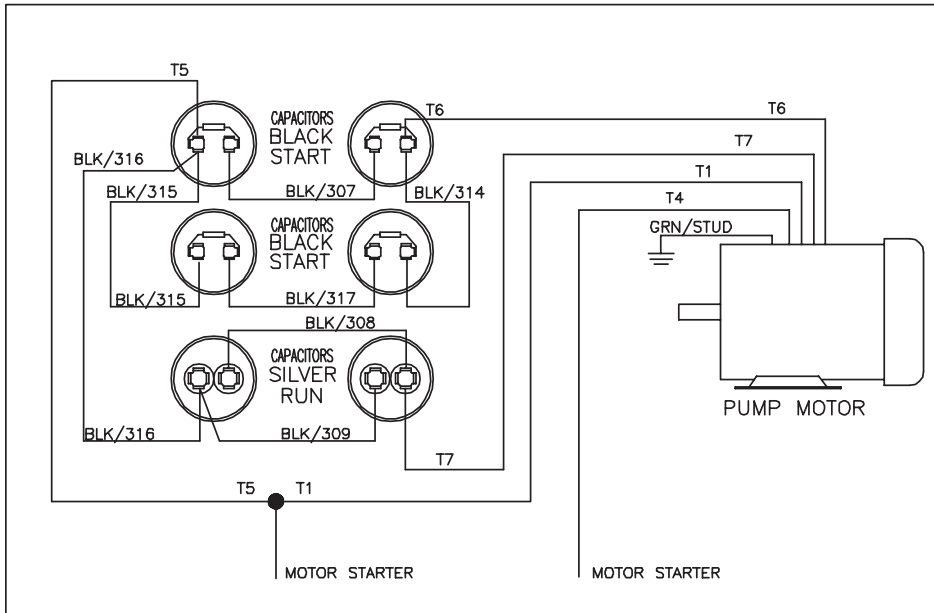
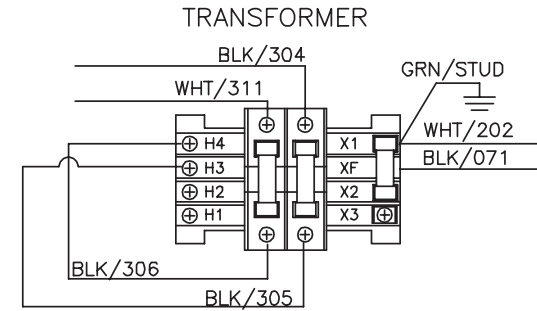
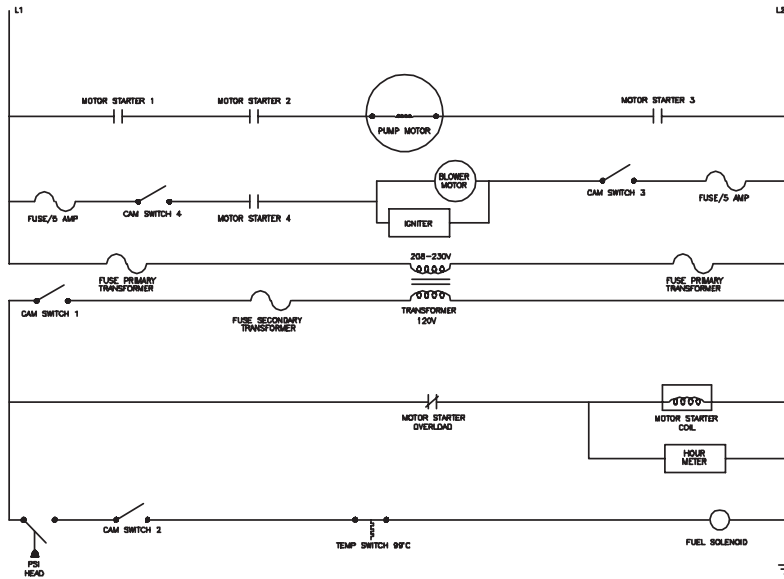
FACTORY SETTING	PRIMARY VOLTAGE		SECONDARY VOLTAGE	
	TERMINALS		TERMINALS	
208	H4-H3		115	XF-X1
230	H4-H2		115	XF-X1

OMHSE029S-121200-KS

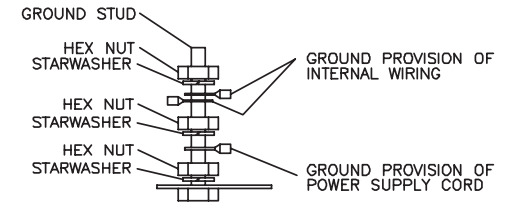
WIRING DIAGRAM FOR HSE-2504-0M10 (208-230 VOLT)



WIRING SCHEMATIC FOR HSE-3004-0M10 (208-230 VOLT)

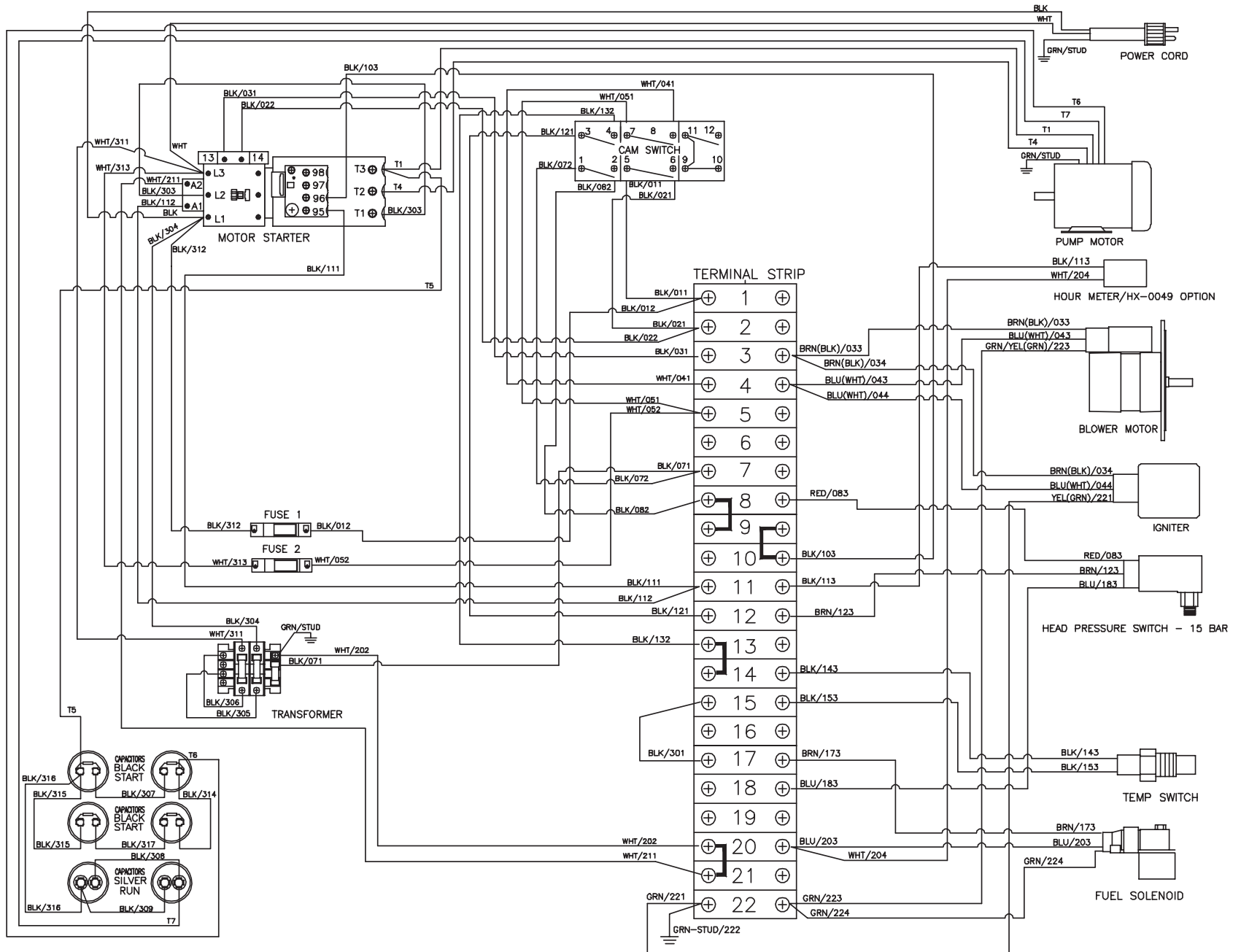


GROUNDING PROVISIONS



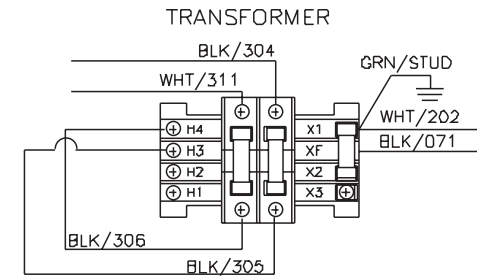
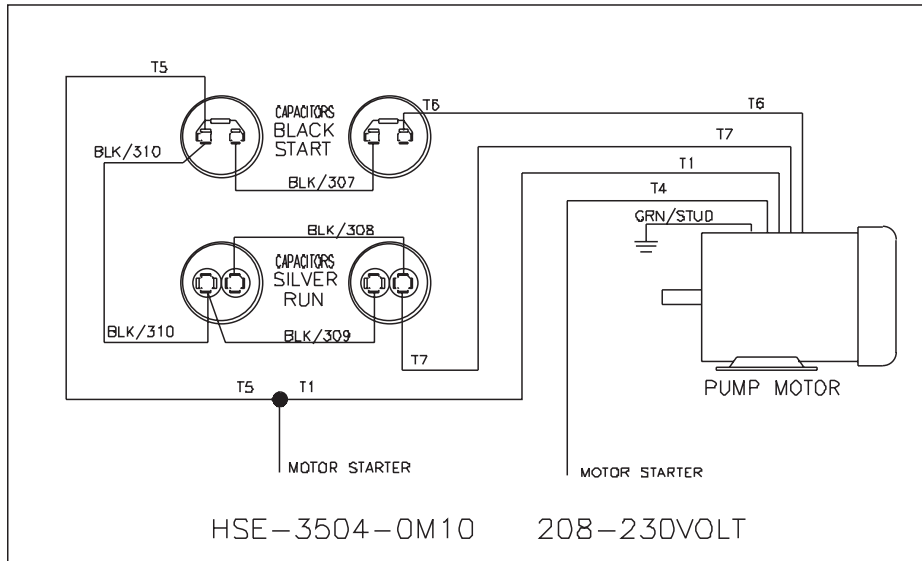
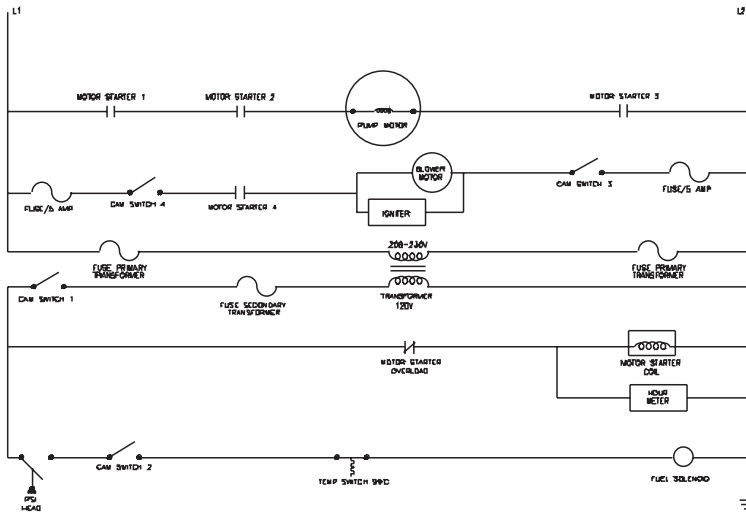
OMHSE030S-121200-KS

WIRING DIAGRAM FOR HSE-3004-0M10 (208-230 VOLT)



OMHSE030D-121200-KS

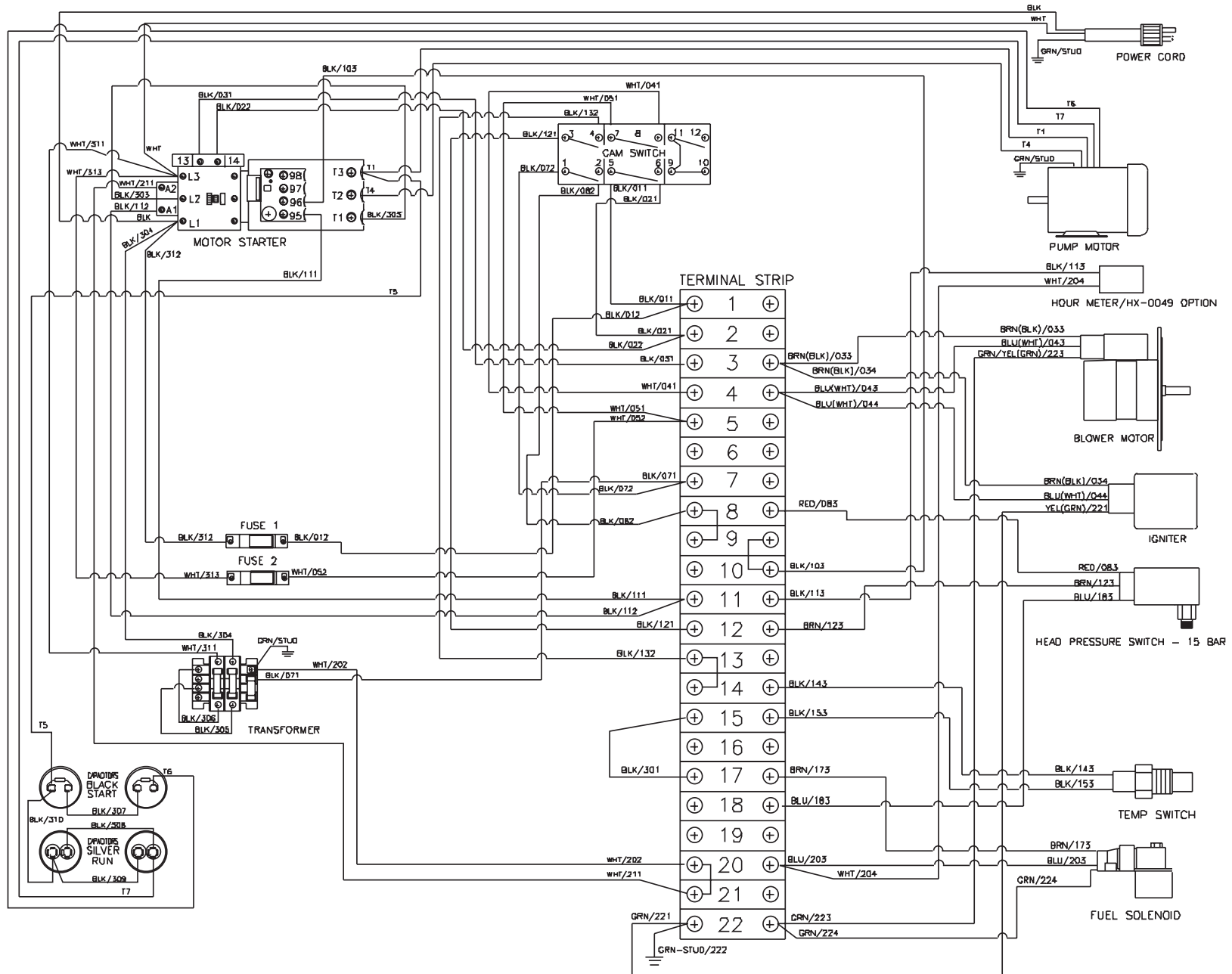
WIRING SCHEMATIC FOR HSE-3504-0M10 (208-230 VOLT)



FACTORY SETTING	PRIMARY VOLTAGE		SECONDARY VOLTAGE	
	TERMINALS		TERMINALS	
	208	H4-H3	115	XF-X1
	230	H4-H2	115	XF-X1

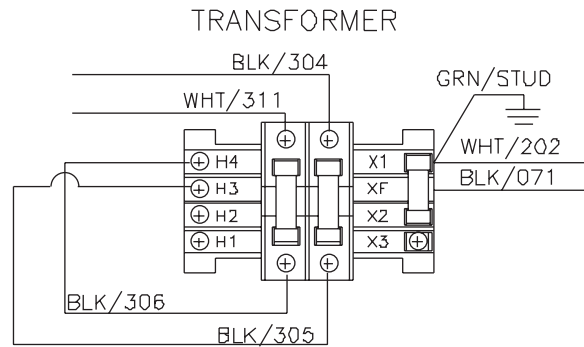
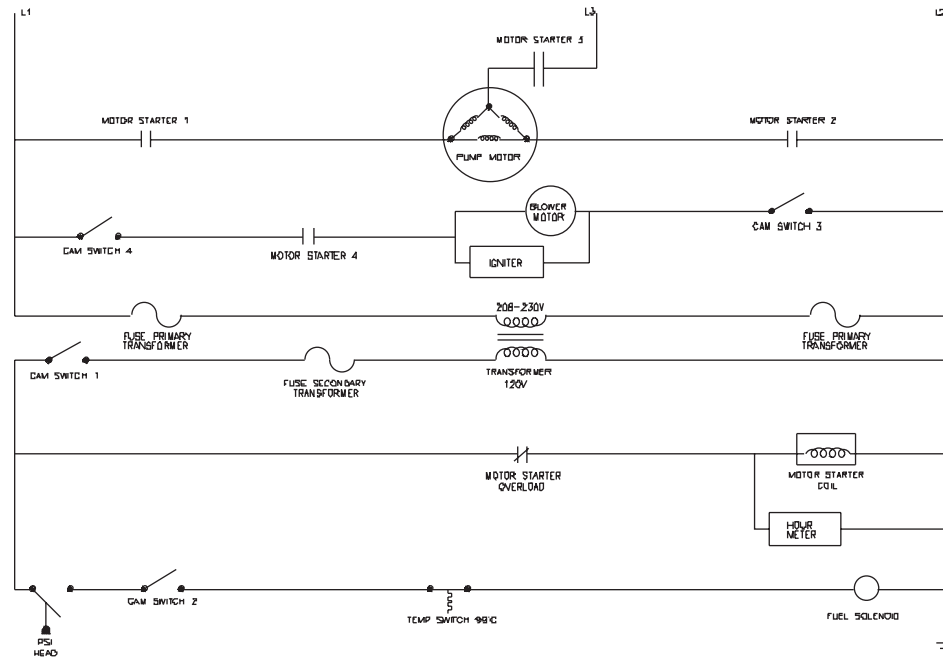
OMHSE031S-121200-KS

WIRING DIAGRAM FOR HSE-3504-0M10 (208-230 VOLT)



OMHSE031D-121200-KS

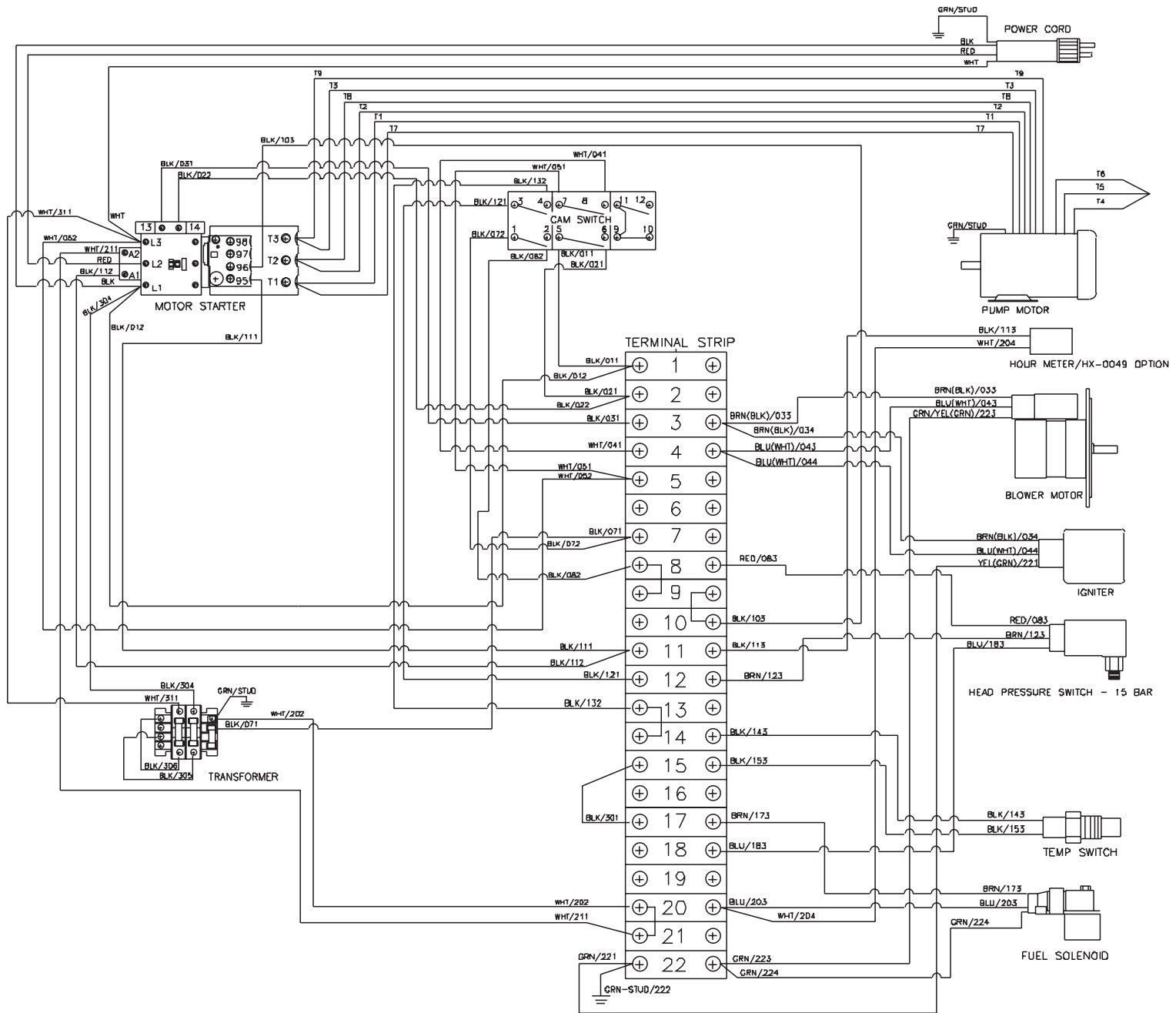
WIRING SCHEMATIC FOR HSE-2504/3004/3504-0M30 (208-230 VOLT)



FACTORY SETTING	PRIMARY VOLTAGE		SECONDARY VOLTAGE	
	TERMINALS	TERMINALS	TERMINALS	TERMINALS
	208	H4-H3	115	XF-X1
	230	H4-H2	115	XF-X1

OMHSE032S-121200-KS

WIRING DIAGRAM FOR HSE-2504/3004/3504-0M30 (208-230 VOLT)



OMHSE032D-121200-KS

Manufactured by Mi-T-M
50 Mi-T-M Drive, Peosta IA 52068
563-556-7484/ Fax 563-556-1235